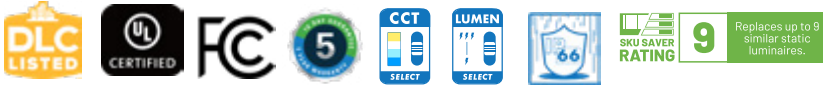


# VTSC G1

## LED Vapor Tight Gen 1 **CONTROL XP**

Due to continuous product improvements, specification and/or equipment updates may change without notice.



(Images are shown for illustration purposes only)

**VTSC 4 LS60 G1 FSK - 4 ft**

**Controls flexible** - Plug in 3.5 mm receptacle built into the housing. (adjustable 90° elbow and sensor ship seperately)

### Catalog

Catalog Number	Description	Lumens	Watts	CCT	Voltage
VTSC 2 LS33 G1 FSK	LED Vapor Tight Selectable Strip - 2 Foot- First Generation - UL94-5VA housing	Selectable 1,950 - 3,250	Selectable 15 - 25 W	Selectable 3500K - 5000K	120V - 277V
VTSC 4 LS60 G1 FSK	LED Vapor Tight Selectable Strip - 4 Foot- First Generation - UL94-5VA housing	Selectable 4,500 - 5,850 Lm	Selectable 34 - 45 W	Selectable 3500K - 5000K	120V - 277V
VTSC 8 LS120 G1 FSK	LED Vapor Tight Selectable Strip - 8 Foot - First Generation - UL94-5VA housing	Selectable 7,800 - 11,700 Lm	Selectable 60 - 90 W	Selectable 3500K - 5000K	120V - 277V
VTSC 4 LS60 G1 FSK - EMD-DH08D-UNV-55	LED Vapor Tight Selectable Strip - 4 Foot- First Generation - UL94-5VA housing with preinstalled battery backup	Selectable 4,500 - 5,850 Lm	Selectable 34 - 45 W	Selectable 3500K - 5000K	120V - 277V
VTSC 8 LS120 G1 FSK - EMD-DH08D-UNV-55	LED Vapor Tight Selectable Strip - 8 Foot - First Generation - UL94-5VA housing with preinstalled battery backup	Selectable 7,800 - 11,700 Lm	Selectable 60 - 90 W	Selectable 3500K - 5000K	120V - 277V

### ORDERING GUIDE

Example: VTSC 4 LS60 G1 FSK

Fixture Type	Size	Selectable Lumen Output	Generation	Voltage	Selectable CCT	Finish	Options - Emergency Backup	Options - Controls*
• VTSC LED Vapor Tight Strip	• 2 2'	• <b>LS33</b> 1,950 Lm / 15 W 2,600 Lm / 20 W 3,250 Lm / 25 W	• <b>G1</b> First Generation	• <b>BLANK</b> 120-277 V	• <b>FSK</b> 3500K 4000K 5000K	• <b>BLANK</b> White	• <b>BLANK</b> None • <b>EMD-DH08D-UNV-55</b> - 8W Emergency Backup	<ul style="list-style-type: none"> <li>• <b>BLANK</b> None</li> <li>• <b>MS-EAD-MF35*</b> Adjustable elbow for motion sensor/node</li> <li><b>Networked Controls</b> </li> <li>• <b>MSB-DCE-06</b> Bluetooth motion sensor               <ul style="list-style-type: none"> <li>L3 Medium Bay lens</li> <li>L7 High Bay lens</li> </ul> </li> <li>• <b>FCB-DCE-02</b> Bluetooth Plug-in Controller Node</li> <li><b>Standalone Controls</b> </li> <li>• <b>MS-DCE-09-L7</b> Motion sensor</li> <li>• <b>RM-06</b> Remote control for motion sensor.</li> </ul>
	• 4 4'	• <b>LS60</b> 4,500 Lm / 34 W 4,940 Lm / 38 W 5,850 Lm / 45 W						
	• 8 8'	• <b>LS120</b> 7,800 Lm / 60 W 9,750 Lm / 75 W 11,700 Lm / 90 W						

\*MS-EAD-MF35 is needed for every control/sensor option. We can not process a controls order with out the elbow/extender.

# VTSC G1



## Performance Information

Series Number	Wattage	3500K		4000K		5000K	
		Lumens	Efficacy	Lumens	Efficacy	Lumens	Efficacy
VTSC 2 LS33 G1 FSK	15 W	1,950 Lm	130 Lm/W	1,950 Lm	130 Lm/W	1,950 Lm	130 Lm/W
	20 W	2,600 Lm	130 Lm/W	2,600 Lm	130 Lm/W	2,600 Lm	130 Lm/W
	25 W	3,250 Lm	130 Lm/W	3,250 Lm	130 Lm/W	3,250 Lm	130 Lm/W
VTSC 4 LS60 G1 FSK	34 W	4,500 Lm	132 Lm/W	4,500 Lm	132 Lm/W	4,500 Lm	132 Lm/W
	38 W	4,940 Lm	130 Lm/W	4,940 Lm	130 Lm/W	4,940 Lm	130 Lm/W
	45 W	5,850 Lm	130 Lm/W	5,850 Lm	130 Lm/W	5,850 Lm	130 Lm/W
VTSC 8 LS120 G1 FSK	60 W	7,800 Lm	130 Lm/W	7,800 Lm	130 Lm/W	7,800 Lm	130 Lm/W
	75 W	9,750 Lm	130 Lm/W	9,750 Lm	130 Lm/W	9,750 Lm	130 Lm/W
	90 W	11,700 Lm	130 Lm/W	11,700 Lm	130 Lm/W	11,700 Lm	130 Lm/W

## Specifications

### Housing

Light gray polycarbonate housing with stainless steel latches, frosted polycarbonate lens.

### Operating Temperature

Suitable for use in -40° C to 50° C (-40° F to 122° F) when suspended at least 18" from ceiling.

Suitable for use in -40° C to 45° C (-40° F to 113° F) when surface mounted.

### Mounting

Surface and Suspended (cable/chain) mounting - includes V-hooks, surfacing mount bracket, and cord grip.

### Efficacy

Up to 130 lumens per watt.

### CCT

Field selectable: 3500K, 4000K, and 5000K.

### UL 94

5VA flame classification.

### Lifespan

Lumen Maintenance, L70 > 100,000 hours.

### Warranty

5-year limited warranty. Comprehensive warranty terms can be located on [www.slgus.com](http://www.slgus.com).

### Electrical

Standard 120V - 277V

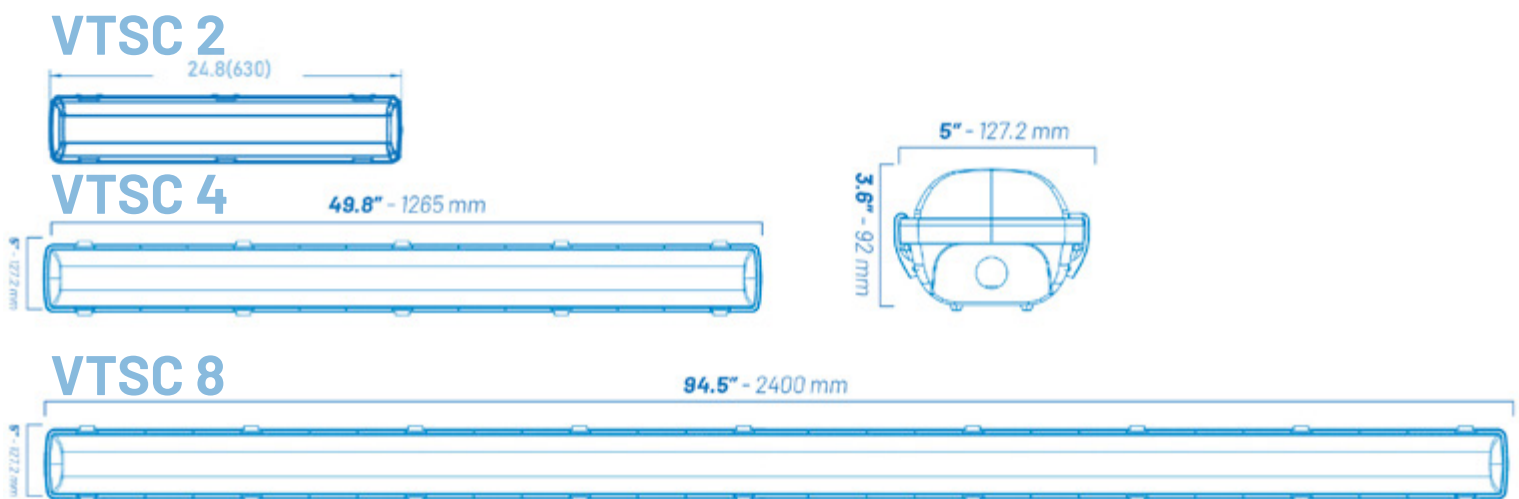
### Dimming Driver

Driver includes 12V AUX and dimming control wiring for 0-10V dimming systems. The dim-to-off voltage threshold ranges from 0.1V to 0.5V.

### Certifications

UL Listed. Equivalent to IP66 rating. FCC compliant. Design Lights Consortium® (DLC) 5.1 qualified listed product pending.

## Dimensions



# VTSC G1

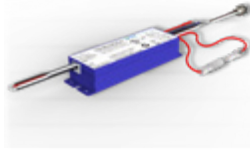


## INCLUDED ACCESSORIES



**V-HOOK Mounting**  
(Included mounting equipment)

## EMERGENCY BACKUP BATTERY



**EMD-DH-08-UNV-55**

Rated	Battery	Emergency power	Duration
Input: 100-277V~, 50-60Hz, 50mA, 4W, P.F > 0.5 Output: DC20-55V, 8W Constant power Surge: 1KV(L-N) 2KV(L/N-PE)	Li-ion 7.4V 2.6Ah	<b>8W (7.0-8.2)</b>	<b>90 minutes</b>

EM Spec Sheet link:

[www.slgus.com/accessory-emddh08unv-055.html](http://www.slgus.com/accessory-emddh08unv-055.html)

## ADDITIONAL ACCESSORIES



**MS-EAD-MF35**  
Adjustable elbow, Male to Female 3.5 mm plug in extension.



**MSB-DCE-06**  
Bluetooth Motion Sensor with controller



**FCB-DCE-02**  
Bluetooth Controller

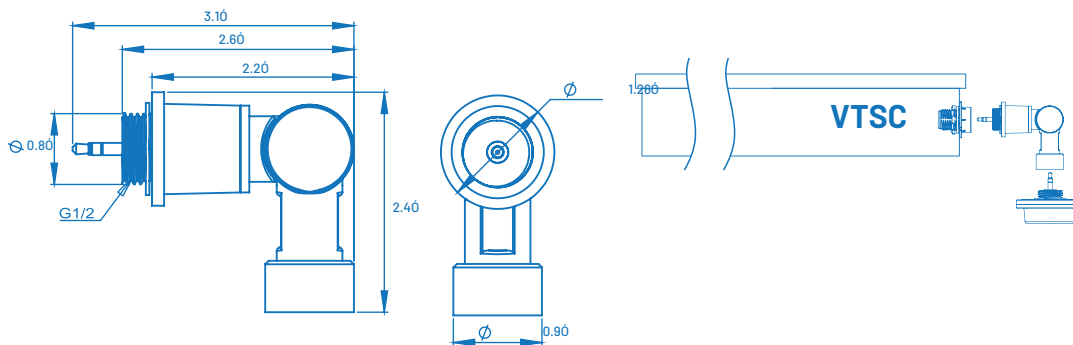


**MS-DCE-09-L7**  
Motion Sensor



**RM-06**  
Remote control for MS-DCE-09-L7

## CONTROLS DIAGRAM



## DLC ID

Series Number	DLC ID
VTSC 2 LS33 G1 FSK	S-DHRCBY
VTSC 4 LS60 G1 FSK	S-SWFW7Z
VTSC 8 LS120 G1 FSK	S-3R141J

## SHIPPING INFORMATION

Product number	Individual box size	Individual box weight	Master carton box size	# per carton	Master carton weight
VTS 2 LS33 G1 FSK	26.34"L x 5.2"W x 3.5"H	-	26.9"L x 10.9"W x 7.9" H	4	
VTS 4 LS60 G1 FSK	53.8"L x 5.2"W x 3.5"H	-	52"L x 11.2"W x 8"H	4	-
VTS 8 LS120 G1 FSK	95.8"L x 5.2"W x 3.7"H	-	96.7"L x 10.8"W x 8"H	4	-

## Bluetooth Motion sensor



**MSB-DCE-06**  
(Pictured with L7 lens)

### Specifications:

**Input Voltage**  
DC 12V

**Sinking Current**  
10mA Max

**Warranty**  
5 Year warranty

**IP Rating**  
IP66

**Bluetooth Transmit**  
200 ft. Max

**Input Current**  
50mA Max

**Radio Frequency**  
2.4 GHz +- 75 MHz

**Input Power**  
0.6 W

**Mounting Height**  
20 - 40 ft

**Output Voltage**  
DC 10V

**Dimming**  
Class 2, 0-10V DC 10mA Max

**Output Current**  
10mA Max

**Detection Range**  
40 - 80 ft

**Output Power**  
0.1W

**Operating Temperature**  
-30°C to 55°C (-22°F to 131°F)

## Commissioning

This Bluetooth sensor/controller is easily commissioned via the SLG Sync app, available for download on Google Play and the App Store.

### App Download:



For commissioning guide and more information visit:

[www.slgsync.com](http://www.slgsync.com)

## Basic Motion sensor



**MS-DCE-09-L7**

### Specifications:

**Input Voltage**  
DC 12V

**IP Rating**  
IP65

**Input Current**  
<30mA

**Detection Range**  
≥ 9 ft

**Voltage Range**  
10 - 15VDC

**Mounting Height**  
Up to 40 ft

**Output Power**  
0.1W

**Dimming**  
0-10V

**Detection Angle**  
120°

**Operating Temperature**  
-20°C to 60°C (-4°F to 140°F)

**Warranty**  
5 Year warranty

## Commissioning

This basic sensor is commissioned via the RM06 remote. Either pre-commissioned or commissioned on site.

