

HES G1

LED Selectable High Bay Gen 1 **CONTRACTOR XP**

Due to continuous product improvements, specification and/or equipment updates may change without notice.



HES LS240

22.8" - 3.5mm Controls Receptacle - Prismatic Lens



HES LS360

33.1" - 3.5mm Controls Receptacle - Prismatic Lens

(Images are shown for illustration purposes only)

Catalog Number	Description	Lumens	Watts	CCT	Voltage
HES LS240 G1 FSK	LED Linear High Bay - Standard Voltage	Selectable 15,000 - 24,000 Lm	Selectable 100- 160 W	Selectable 4000K - 5000K	120V - 277V
HES LS360 G1 FSK	LED Linear High Bay - Standard Voltage	Selectable 24,000 - 36,000 Lm	Selectable 160- 240 W	Selectable 4000K - 5000K	120V - 277V
HES LS240 G1 HVU FSK	LED Linear High Bay - High Voltage	Selectable 15,000 - 24,000 Lm	Selectable 100- 160 W	Selectable 4000K - 5000K	277V - 480V
HES LS360 G1 HVU FSK	LED Linear High Bay - High Voltage	Selectable 24,000 - 36,000 Lm	Selectable 160- 240 W	Selectable 4000K - 5000K	277V - 480V
HES LS240 G1 FSK-EMD-DH24D-UNV-260	LED Linear High Bay - Standard Voltage - with EMD-DH24D-UNV-260 battery backup preinstalled.	Selectable 15,000 - 24,000 Lm	Selectable 100- 160 W	Selectable 4000K - 5000K	120V - 277V
HES LS360 G1 FSK-EMD-DH24D-UNV-260	LED Linear High Bay - Standard Voltage - with EMD-DH24D-UNV-260 battery backup preinstalled.	Selectable 24,000 - 36,000 Lm	Selectable 160- 240 W	Selectable 4000K - 5000K	120V - 277V

ORDERING GUIDE

Example: HES LS360 G1 FSK

Fixture Type	Selectable Lumen Output	Optics	Gen	Voltage	Selectable CCT	Finish	Options - Emergency Backup	Options - Controls	Options - Accessories
<ul style="list-style-type: none"> HES Selectable Linear High Bay 	<ul style="list-style-type: none"> LS240 15,000 Lm / 100W 18,000 Lm / 120W 24,000 Lm / 160W LS360 24,000 Lm / 160W 30,000 Lm / 200W 36,000 Lm / 240W 	<ul style="list-style-type: none"> BLANK Prismatic Lens AL Aisle Lens 	<ul style="list-style-type: none"> G1 First Generation 	<ul style="list-style-type: none"> BLANK 120-277 V HVU 347V/480V 	<ul style="list-style-type: none"> FSK 4000K 5000K 	<ul style="list-style-type: none"> BLANK White 	<ul style="list-style-type: none"> BLANK No backup. Preinstalled EMD-DH24D-UNV-260 Emergency backup 24W (120-277 models only) Field Installed EMA-DH32D-UNV-190 Emergency backup 32W (120-277V models only) 	<ul style="list-style-type: none"> BLANK None Networked Controls MSB-DCE-06 Bluetooth motion sensor L3 Medium Bay lens L7 High Bay lens FCB-DCE-02 Bluetooth Plug-in Controller Node Standalone Controls MS-DCE-09-L7 Motion sensor RM-06 Remote control for motion sensor. 	<ul style="list-style-type: none"> BLANK V-Hook & Chain (Standard) HES-PMB Pendant Mount HES-SMB Surface Mount WG-HES-S Wire guard for HES LS240 WG-HES-L Wire guard for HES LS360

Performance Information

Series Number	Power	Lumens	Wattage	Efficacy	CCT
HES LS240	High	24,000 Lm	160 W	150 Lm/W	4000K/5000K
	Medium	18,000 Lm	120 W	150 Lm/W	
	Low	15,000 Lm	100 W	150 Lm/W	
HES LS360	High	36,000 Lm	240 W	150 Lm/W	
	Medium	30,000 Lm	200 W	150 Lm/W	
	Low	24,000 Lm	160 W	150 Lm/W	

Specifications

Housing

Sheet metal stamping.

Ambient Temperature

Suitable for use in -20° C to 50° C (-4° F to 122° F).

Mounting

Suspended mount and surface mount.

Efficacy

Up to 150 lumens per watt.

CCT and CRI

Field selectable: 4000K and 5000K.
CRI 80.

Surge Protection

L-N: 6kV
L/N-GND: 6kV

Lumen Output

Field selectable: 15,000 - 36,000 Lm.

Lifespan

L70 >100,000 Hours at 25°C

Warranty

5-year limited warranty. Comprehensive warranty terms can be located on www.slgus.com.

Electrical

Standard 120V - 277V

0-10V dimming standard with a dimming range of 100% to 10%.

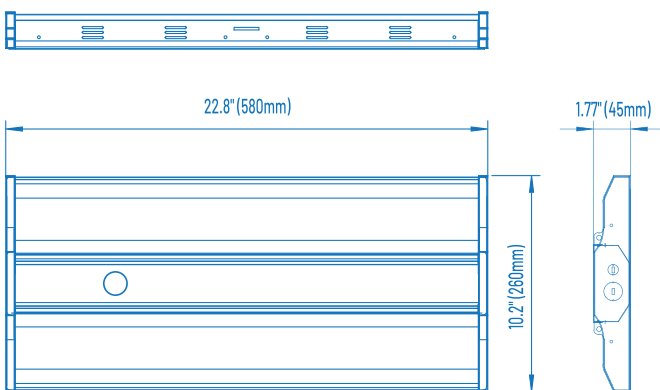
High Voltage HVU 277V-480V.

Certifications

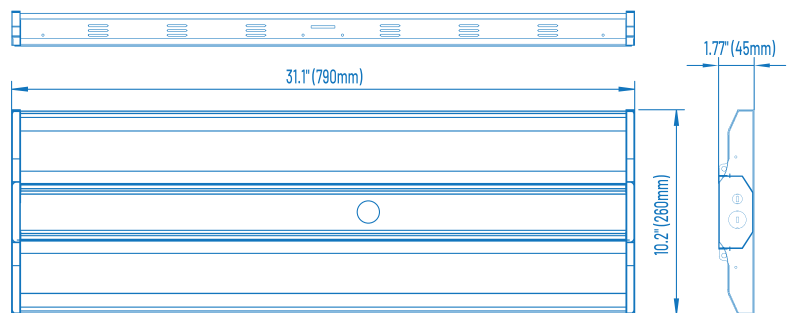
UL Listed for damp locations. FCC compliant. Design Lights Consortium® (DLC) Premium 5.1 qualified product.

Dimensions

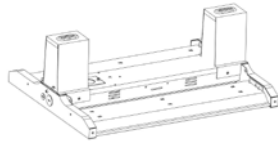
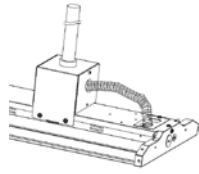
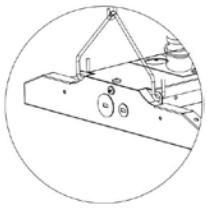
HES LS240



HES LS360



Mounting



V-Hook Chain Mounting
(Standard)

Pendant Hanger Mount

Surface Mount

Accessories



MSB-DCE-06

Bluetooth Motion Sensor
with controller

FCB-DCE-02

Bluetooth Controller

MS-DCE-09-L7

Motion Sensor

Wire Guard

Electrical Load

	Power Setting	Wattage	Current (A)					Power Setting	Wattage	Current (A)	
			120V	208V	240V	277V				347V	480V
HES LS240 G1 FSK	Low	100 W	0.83	0.48	0.42	0.36	HES LS240 G1 HVU FSK	Low	100 W	0.29	0.21
	Med	120 W	1.00	0.58	0.5	0.43		Med	120 W	0.34	0.25
	High	160 W	1.33	0.77	0.67	0.58		High	160 W	0.46	0.33
HES LS360 G1 FSK	Low	160 W	1.33	0.77	0.67	0.58	HES LS360 G1 HVU FSK	Low	160 W	0.46	0.33
	Med	200 W	1.67	0.96	0.83	0.72		Med	200 W	0.58	0.42
	High	240 W	2.00	1.15	1.00	0.87		High	240 W	0.69	0.5

Luminaire Maintenance

Product Number	Ambient Temperature	L70
HES Series	25°C (77°F)	>100,000 Hours

Bluetooth Motion sensor



MSB-DCE-06
(Pictured with L7 lens)

Specifications:

Input Voltage

DC 12V

IP Rating

IP66

Input Current

50mA Max

Input Power

0.6 W

Output Voltage

DC 10V

Output Current

10mA Max

Output Power

0.1W

Sinking Current

10mA Max

Bluetooth Transmit

200 ft. Max

Radio Frequency

2.4 GHz +- 75 MHz

Mounting Height

20 - 40 ft

Dimming

Class 2, 0-10V DC 10mA Max

Detection Range

40 - 80 ft

Operating Temperature

-30°C to 55°C (-22°F to 131°F)

Warranty

5 Year warranty

Commissioning

This Bluetooth sensor/controller is easily commissioned via the SLG Sync app, available for download on Google Play and the App Store.

App Download:



For commissioning guide and more information visit:

www.slgsync.com

Standalone Motion sensor



MS-DCE-09-L7

Specifications:

Input Voltage

DC 12V

Input Current

<30mA

Voltage Range

10 - 15VDC

Output Power

0.1W

Detection Angle

120°

IP Rating

IP65

Detection Range

≥ 9 ft

Mounting Height

Up to 40 ft

Dimming

0-10V

Operating Temperature

-20°C to 60°C (-4°F to 140°F)

Warranty

5 Year warranty

Commissioning

This basic sensor is commissioned via the RM06 remote. Either pre-commissioned or commissioned on site.

