

WPC G1 - Adjustable Throw Wall Pack



PERFORMANCE XP



(Images are shown for illustration purposes only)

Project:

Product #:

Type:

KEY FEATURES

- Adjustable throw: 0°, 15°, 30° and 45°.
- Adjustable power and CCT.
- 10 year warranty.
- Controls ready, plug-and-play receptacle.
- 167 Lm/W efficacy.



SPECIFICATIONS

Housing

Rugged cast-aluminum with bronze polyester.

Ambient Temperature

Suitable for use in -40° C to 40° C (-40° F to 104° F).

Finish

Dark Bronze.

Mounting

Wall Mount and Surface Mount.

Efficacy

Up to 167 lumens per watt.

Lumen Output

Field Selectable - 6,600 - 22,000 Lm.

Beam Angle

Field Selectable: 0°, 15°, 30° and 45°.

CCT and CRI

Field Selectable: 3000K, 4000K, and 5000K - 80 CRI

Lifespan

L70 > 50,000 hours @ 25°C.

Warranty

10-year limited warranty. Comprehensive warranty terms can be located on www.slgus.com.

Electrical

Standard voltage 120-277V. HVU 277-480V 0-10V dimming from 10% - 100%. PF>90%. THD<15%.

Certifications

UL Listed for wet locations. FCC compliant. Design Lights Consortium® (DLC) 5.1 Premium qualified product pending.

ORDERING GUIDE

Example: **WPC LS140 G1 FSK**

Fixture Type	Selectable Lumen Output	Light Throw	Generation	Photocell	Voltage	CCT	Finish
<ul style="list-style-type: none"> WPC Wall Pack Controllable Pro 	<ul style="list-style-type: none"> LS140 6,600 Lm / 40 W 9,500 Lm / 60 W 12,000 Lm / 80 W 14,000 Lm / 100 W LS220 10,000 Lm / 60 W 14,500 Lm / 90 W 18,500 Lm / 120 W 22,000 Lm / 150 W 	<ul style="list-style-type: none"> BLANK Selectable Throw - 0°, 15°, 30°, and 45°. 	<ul style="list-style-type: none"> G1 First Generation 	<ul style="list-style-type: none"> BLANK Preinstalled with cap if photocell is not needed. 	<ul style="list-style-type: none"> BLANK 120-277V HVU 277-480V 	<ul style="list-style-type: none"> FSK 3000K 4000K 5000K - 80 CRI 	<ul style="list-style-type: none"> BLANK Dark Bronze W* White C** Custom finish

For stocking opportunities please reach out to your local SLG Lighting rep or contact sales@slgus.com.

Leadtimes may vary based on current inventory levels - always consult your local SLG Lighting rep for leadtimes and project needs.

*White finish only available for Standard 120-277V fixtures. **Custom finish requires special order, please call for all information.

ACCESSORIES

Sensors	SLG Sync App	Emergency Backup
<ul style="list-style-type: none"> MSB-DCE-06-BT5.0-W Networked Motion Sensor L3 Medium Bay Lens L7 High Bay Lens FCB-DCE-02-BT5.0-W Bluetooth Plug-in Controller Node MS-DCE-09-L7-W Standalone Motion Sensor RM-06 Remote control for motion sensor 	<ul style="list-style-type: none"> BLANK Commission and control your system through the free SLG Sync app. 	<ul style="list-style-type: none"> EMD-DH08D-UNV-180** Emergency Battery Backup (8W)

**EM is not compatible with 277-480 wall pack.

Accessories shown are generally stocked items, for additional accessories questions and options please contact your local SLG Lighting rep or email sales@slgus.com. Options for spec needs available through special request - please contact sales@slgus.com with spec needs and project size.

Due to continuous product improvements, specification and/or equipment updates may change without notice.

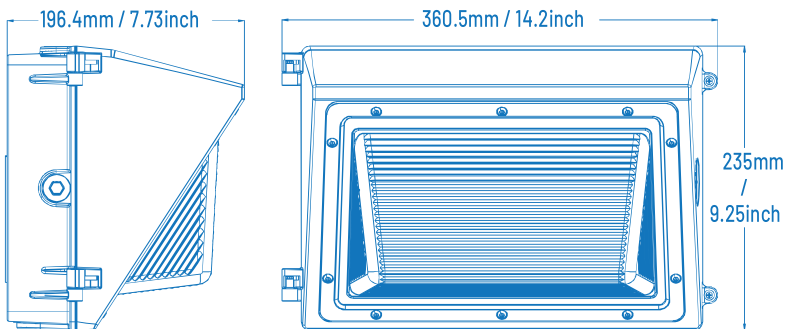
PERFORMANCE INFORMATION @ 45° LIGHT THROW

Series Number	Power Setting	Wattage	Lumens (3000K)	Efficacy	Lumens (4000K)	Efficacy	Lumens (5000K)	Efficacy
WPC LS140	Max	100 W	13,000 Lm	130 Lm/W	14,000 Lm	140 Lm/W	13,500 Lm	135 Lm/W
	High	80 W	11,000 Lm	138 Lm/W	12,000 Lm	150 Lm/W	11,400 Lm	143 Lm/W
	Medium	60 W	8,700 Lm	145 Lm/W	9,500 Lm	158 Lm/W	9,000 Lm	150 Lm/W
	Low	40 W	6,000 Lm	150 Lm/W	6,600 Lm	165 Lm/W	6,250 Lm	156 Lm/W
WPC LS220	Max	150 W	20,000 Lm	133 Lm/W	22,000 Lm	147 Lm/W	21,000 Lm	140 Lm/W
	High	120 W	16,500 Lm	138 Lm/W	18,500 Lm	154 Lm/W	17,500 Lm	146 Lm/W
	Medium	90 W	13,000 Lm	144 Lm/W	14,500 Lm	161 Lm/W	13,800 Lm	153 Lm/W
	Low	60 W	9,000 Lm	150 Lm/W	10,000 Lm	167 Lm/W	9,600 Lm	160 Lm/W

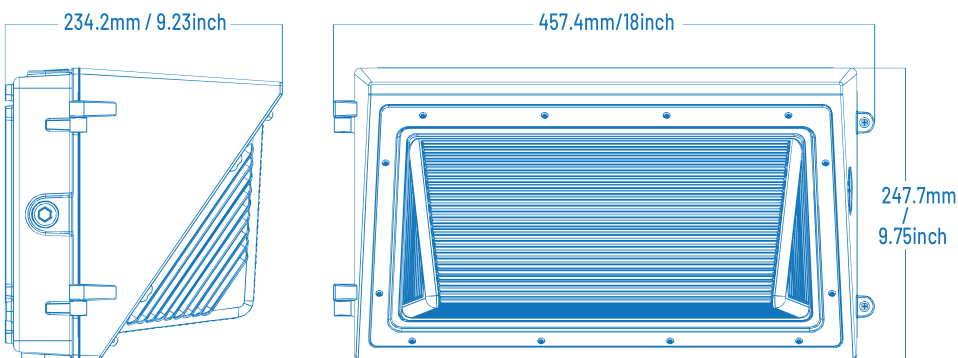
Performance data based on vigorous, industry standard testing and has been verified by lab results.

DIMENSIONS

WPC LS140 - Medium

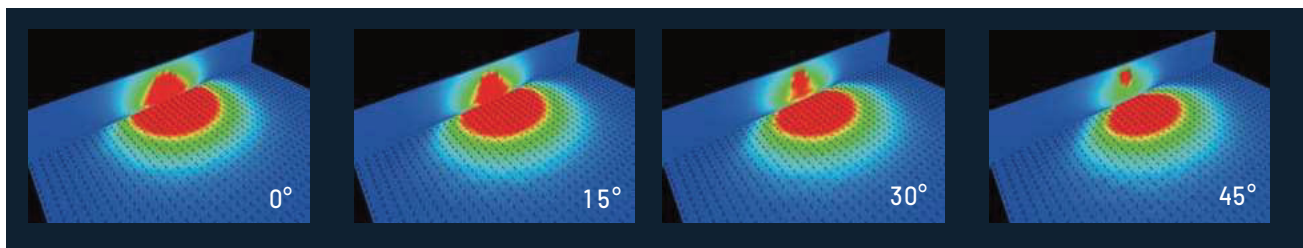


WPC LS220 - Large



PHOTOMETRIC

All-in-one Wall Pack features multiple throws that adjust as you set them.



Due to continuous product improvements, specification and/or equipment updates may change without notice.

ELECTRICAL LOAD

Series Number	Power	Wattage	120V	208V	240V	277V
WPC LS140	Max	100 W	0.83	0.48	0.42	0.36
	High	80 W	0.67	0.38	0.33	0.29
	Medium	60 W	0.5	0.29	0.25	0.22
	Low	40 W	0.33	0.19	0.17	0.14
WPC LS220	Max	150W	1.25	0.72	0.63	0.54
	High	120 W	1.00	0.58	0.5	0.43
	Medium	90 W	0.75	0.43	0.38	0.33
	Low	60 W	0.5	0.29	0.25	0.22

Series Number	277V	480V
WPC LS140 HVU	0.36	0.21
	0.29	0.17
	0.22	0.13
	0.14	0.08
WPC LS220 HVU	0.54	0.31
	0.43	0.25
	0.33	0.19
	0.22	0.13

BLUETOOTH MOTION SENSOR



MSB-DCE-06-W
(Pictured with L7 lens)

SPECIFICATIONS

Input Voltage DC 12V	Output Voltage DC 10V	Mounting Height 20 - 40 ft
IP Rating IP66	Output Current 10mA Max	Dimming Class 2, 0-10V DC 10mA Max
Input Current 50mA Max	Output Power 0.1W	Detection Range 40 - 80 ft
Input Power 0.6 W	Sinking Current 10mA Max	Operating Temperature -30°C to 55°C (-22°F to 131°F)
Bluetooth Transmit 200 ft. Max	Warranty 5 Year warranty	
Radio Frequency 2.4 GHz +- 75 MHz		

COMMISSION

This Bluetooth sensor/controller is easily commissioned via the SLG Sync app, available for download on Google Play and the App Store.

APP DOWNLOAD



For commissioning guide and more information visit:
www.slgsync.com

STANDALONE MOTION SENSOR



MS-DCE-09-L7-W

SPECIFICATIONS

Input Voltage DC 12V	Detection Angle 120°	Dimming 0-10V
Input Current <30mA	IP Rating IP65	Operating Temperature -20°C to 60°C (-4°F to 140°F)
Voltage Range 10 - 15VDC	Detection Range > 9 ft	Warranty 5 Year warranty
Output Power 0.1W	Mounting Height Up to 40 ft	

COMMISSION

This basic sensor is commissioned via the RM06 remote. Either pre-commissioned or commissioned on site.



RM06

Due to continuous product improvements, specification and/or equipment updates may change without notice.