

PROJECT: _____
 CATALOG #: _____
 FIXTURE TYPE: _____
 NOTES: _____

WSA G2 Wall Pack Adjustable



Large Size



Small Size

Images are shown for illustration purpose only.

The **WSA G2 Wall Pack Adjustable** is a versatile and energy saving wall pack. The fixture has rugged aluminum construction for use in harsh environments and multi-mount capabilities that allows for 0° to 90° tilt angle adjustments. It comes in two sizes small and large and is designed for replacements up to 400W MH.

APPLICATIONS

Building perimeters, entrances and stairways as well as general security lighting

REPLACEMENT

Up to 400W Metal Halide



PERFORMANCE INFORMATION

SERIES NUMBER	WATT	LUMENS	CCT
WSA 33 G2 5K	27W	3,600	5000K
WSA 50 G2 5K	40W	5,200	5000K
WSA 90 G2 5K	67W	8,900	5000K
WSA 100 G2 5K	80W	10,500	5000K

ORDERING GUIDE				EXAMPLE: WSA 33 G2 5K		
Luminaire Type	Lumen Output	Generation	Voltage	CCT	Finish	Photocell
WSA Wall Pack Adjustable	33 3,600 Lumens	G2	BLANK= 120-277V	4K= 4000K 5K= 5000K	BLANK= Dark Bronze C= Custom*	BLANK= No Photocell PC UNV B3= Button Photocell
	50 5,200 Lumens					
	90 8,900 Lumens					
	100 10,500 Lumens					

*Please call for a custom color order

Due to continuous product improvements, specification and/or equipment updates may change without notice.

SPECIFICATIONS

HOUSING

Sealed cast-aluminum housing with optimized thermal management heat. Housing protects against moisture and environmental contaminants with diodes protected behind a glass lens.

AMBIENT TEMPERATURE

Suitable for use in -40°C to +45°C (-40°F to 113°F).

MOUNTING

J-Box Mounting and Surface Mounting with 0° to 90° tilt angle adjustments.

EFFICACY

Up to 133 lumens per watt (see individual wattage data).

CCT AND CRI

4000K and 5000K CCT available; 70 CRI

OPTICS

Using polycarbonate lens for optimal uniformity and glare control.

LM-70

More than 100,000 hrs.

WARRANTY

10-year limited warranty. Comprehensive warranty terms can be located on www.slgus.com.

ELECTRICAL

Standard driver with electronic universal voltage (120-277V 50/60Hz) operation.

ENERGY DATA

Luminaire efficiencies above 90%

FINISH

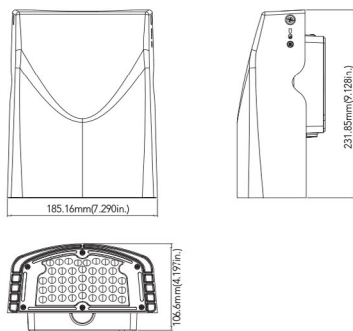
Standard Dark Bronze polyester powder coat. Custom colors available.

CERTIFICATIONS

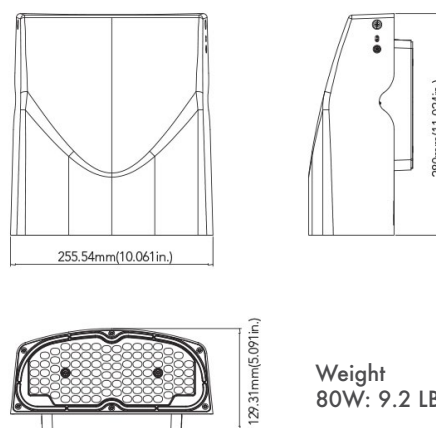
UL listed for wet locations, equal to IP65 rating. Design Lights Consortium® (DLC) Premium 5.0 qualified product. Not all versions of this product may be DLC qualified. Please visit www.slgus.com to confirm which versions are qualified.

DIMENSIONS

Small Size

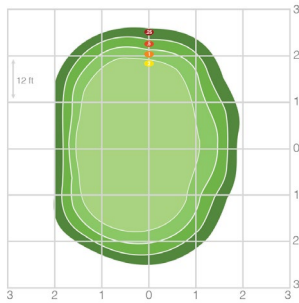


Large Size



Due to continuous product improvements, specification and/or equipment updates may change without notice.

PHOTOMETRIC



WSA 100 G2 4K

Mounting Height	20	22	25	28	30
Multiplier	1.0	0.8	0.6	0.5	0.4

Projected LED Lumen Maintenance

Operating Hours	0	25,000	50,000	100,000
Lumen Maintenance	1	0.97	0.97	0.96

PERFORMANCE DATA

Driver Current (mA)	Wattage	4K		5K		Replacement
		Lumen Output	Efficacy (LPW)	Lumen Output	Efficacy (LPW)	
430	27W	3,600 Lm	133	3,600 Lm	133	175W MH
640	40W	5,100 Lm	128	5,200 Lm	130	250W MH
1110	67W	8,800 Lm	131	8,900 Lm	133	320W MH
2120	80W	10,000 Lm	125	10,500 Lm	131	400W MH

Lumen Ambient Temperature (LAT) Multipliers

Ambient		Lumen Multiplier
0°C	32°F	1.04
5°C	41°F	1.04
10°C	50°F	1.03
15°C	59°F	1.02
20°C	68°F	1.01
25°C	77°F	1.00
30°C	86°F	0.99
35°C	95°F	0.98
40°C	104°F	0.97

ELECTRICAL LOAD

Wattage	Current (A)			
	120V	208V	240V	277V
27W	0.23	0.13	0.11	0.10
40W	0.33	0.19	0.17	0.14
67W	0.56	0.32	0.28	0.24
80W	0.67	0.38	0.33	0.29

Due to continuous product improvements, specification and/or equipment updates may change without notice.