

PROJECT: _____
 CATALOG #: _____
 FIXTURE TYPE: _____
 NOTES: _____

WMC Wall Pack Medium Contractor Series



DLC 5.0
WMC 105 DLC 4.4

The *Wall Pack Medium Contractor Series Gen 1* offers maximum light output for general purpose area and security lighting in a classic design. The luminaire efficiently delivers lumens and consumes less energy than traditional wall mount technologies.

APPLICATIONS

Security Lighting, Perimeter Lighting, Building Entrances, Walkways, etc.

REPLACEMENT

100W - 250W MH

PERFORMANCE INFORMATION

SERIES NUMBER	WATT	LUMENS	CCT
WMC 35 G1 4K	30W	3,592	4000K
WMC 35 G1 5K	30W	3,600	5000K
WMC 50 G1 4K	40W	5,077	4000K
WMC 50 G1 5K	40W	5,100	5000K
WMC 80 G1 4K	65W	7,824	4000K
WMC 80 G1 5K	65W	7,900	5000K
WMC 105 G1 4K	90W	10,124	4000K
WMC 105 G1 5K	90W	10,500	5000K
WMC 145 G1 5K	125W	14,500	5000K

OPTIONS



PC UNV B3



EL UNV-8W

ORDERING GUIDE						EXAMPLE: WMC 50 G1 5K
Luminaire Type	Lumen Output	Generation	Voltage	CCT	Finish	Options
WMC Medium Wall Pack Contractor Series	35 3,600 Lumens 50 5,100 Lumens 80 7,900 Lumens 105 10,500 Lumens 145 14,500 Lumens	G1	BLANK= 120-277V	4K 4000K 5K 5000K	BLANK= Dark Bronze C=Custom *	BLANK= No Option PC UNV B3= Button Photocell EL UNV-8W-AIO= Emergency Backup Kit for 30W/40W/65W EL UNV-8W= Emergency Backup Kit for 90W

*For a custom color, please call to place your order

Due to continuous product improvements, specification and/or equipment updates may change without notice.

SPECIFICATIONS

HOUSING

Die-cast aluminum housing and back-housing.

AMBIENT TEMPERATURE

Suitable for use in -40°C to +40°C (-40°F to 104°F)

MOUNTING

Mounting options include J-Box mounting and Wall mounting, wiring made-up before the lens and front housing.

EFFICACY

Up to 128 lumens per watt (see individual wattage data)

CCT AND CRI

4000K and 5000K CCT available; 70CRI

OPTICS

Polycarbonate optical lens with UV stabilizers.

WARRANTY

5-year limited warranty. Comprehensive warranty terms can be located on www.slgus.com.

ELECTRICAL

High quality constant-current drivers >90% efficiency and rated for 50/60Hz operation with Standard 120-277V input.

ENERGY DATA

Power factor \geq 90%.

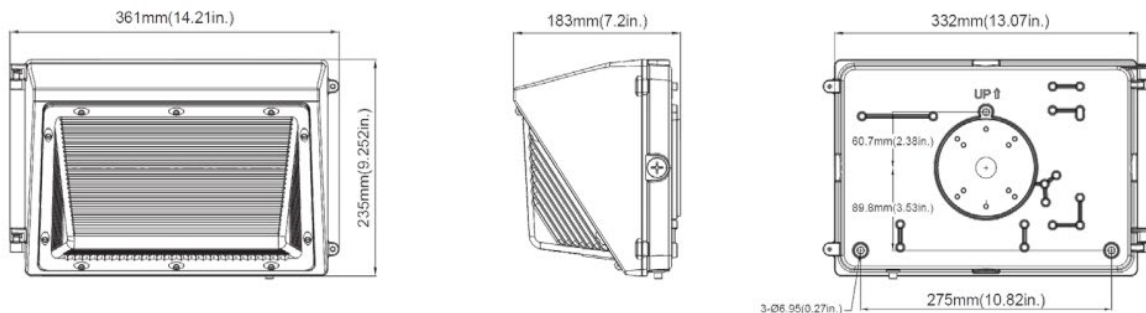
FINISH

Polyester Powder Dark Bronze coat.

CERTIFICATIONS

UL Listed for wet locations. Equivalent to IP65 rating. FCC compliant. RoHs compliant. NSF compliant. Design Lights Consortium® (DLC) 5.0 Standard qualified product. WMC 105 DLC 4.4 Standard qualified product. Not all versions of this product may be DLC qualified. Please visit www.slgus.com to confirm which versions are qualified.

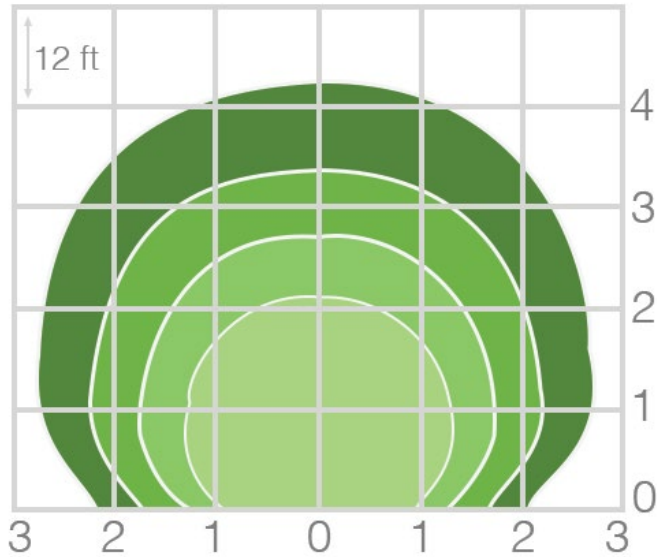
DIMENSIONS



Weight
30W: 6.5 LB
40W: 6.8 LB

Due to continuous product improvements, specification and/or equipment updates may change without notice.

PHOTOMETRIC



WMC 80 G1 4K

Mounting Height	12	14	16	18	20
Multiplier	1.8	1.3	1.0	0.8	0.6

ELECTRICAL LOAD

Series Number	Wattage	Current (A)			
		120V	208V	240V	277V
WMC 35 G1 4K	30W	0.25	0.14	0.13	0.11
WMC 35 G1 5K	30W	0.25	0.14	0.13	0.11
WMC 50 G1 4K	40W	0.33	0.19	0.16	0.14
WMC 50 G1 5K	40W	0.33	0.19	0.16	0.14
WMC 80 G1 4K	65W	0.54	0.31	0.27	0.23
WMC 80 G1 5K	65W	0.54	0.31	0.27	0.23
WMC 105 G1 4K	90W	0.75	0.43	0.38	0.32
WMC 105 G1 5K	90W	0.75	0.43	0.38	0.32
WMC 145 G1 5K	125W	1.04	0.60	0.52	0.45

Due to continuous product improvements, specification and/or equipment updates may change without notice.