

PROJECT: \_\_\_\_\_  
 CATALOG #: \_\_\_\_\_  
 FIXTURE TYPE: \_\_\_\_\_  
 NOTES: \_\_\_\_\_

# VTA LED Adjustable Vapor Tight



## PERFORMANCE INFORMATION

SERIES NUMBER	WATT	LUMENS	CCT
VTA 20 G1 50K	20W	1,600	5000K
VTA 30 G1 50K	30W	2,400	5000K

The high performing *VTA Vapor Tight Adjustable* has flexible mounting options for ceiling mount, wall mount, and pendant mount. For even greater convenience, the fixture can be adjusted between 0° to 180°. A classic design paired with the latest LED technology, this vapor tight luminaire guarantees years of maintenance-free illumination.

### APPLICATIONS

Building Exteriors, Outdoor Corridors, Walkways, Stairwells, Utility Areas, and Docks

### REPLACEMENT

100W Incandescent/32W CFL  
 150W Incandescent/100W CFL

ORDERING GUIDE					EXAMPLE: VTA 20 G1 50K
Luminaire Type	Lumen Output	Generation	Voltage	CCT	Finish
<b>VTA</b> LED Adjustable Vapor Tight	<b>20</b> 1,600 Lumens	<b>G1</b>	<b>BLANK=</b> 120-277V	<b>50K</b> 5000K	<b>BLANK=</b> Silver Grey
	<b>30</b> 2,400 Lumens				

Due to continuous product improvements, specification and/or equipment updates may change without notice.

## SPECIFICATIONS

### HOUSING

Rugged die-cast aluminum housing with removable guard included.

### AMBIENT TEMPERATURE

Suitable for use in -30°C to 45°C (-22°F to 113°F).

### MOUNTING

Wall mount to J-box with 3/4" NPS threaded conduit entry or four side conduit entries. Pendant and Ceiling mount versions accommodate traditional 3/4" NPS threaded top conduit entry and four side conduit entries. For greater convenience, the fixture can be tilted between 0° to 180°.

### EFFICACY

Up to 100 lumens per watt (see individual wattage data)

### CCT AND CRI

5000K CCT available; CRI 80

### OPTICS

Frosted polycarbonate lens provides even light distribution with F1 weatherability rating per UL 746C.

### WARRANTY

5-year limited warranty. Comprehensive warranty terms can be located on [www.slgus.com](http://www.slgus.com).

### ELECTRICAL

50/60Hz operation with 120-277V input. Non-dimmable.

### LIFESPAN

50,000-hour LED lifespan based on TM-21 calculations, 25°C

### FINISH

Polyester Powder Silver Grey finish with superior corrosion resistance and maximum durability.

### CERTIFICATIONS

UL Listed for wet locations. IP65 rating. FCC compliant. RoHs compliant. Energy Star certified. F1 weatherability rating per UL746C.

## MOUNTING



CEILING MOUNT



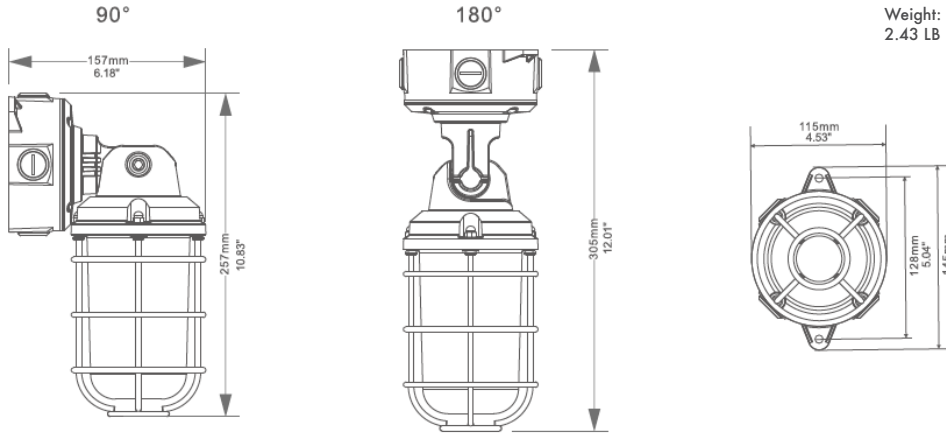
WALL MOUNT



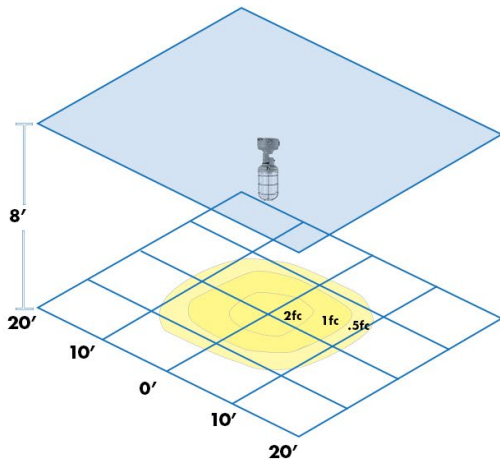
PENDANT MOUNT

Due to continuous product improvements, specification and/or equipment updates may change without notice.

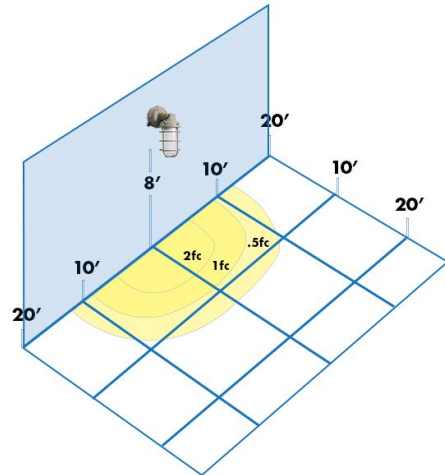
## DIMENSIONS



## PHOTOMETRIC



CEILING MOUNT



WALL MOUNT

VTA 20 G1 5K

Due to continuous product improvements, specification and/or equipment updates may change without notice.

## ELECTRICAL LOAD

Series Number	Wattage	Current (A)			
		120V	208V	240V	277V
VTA 20 G1 50K	20W	0.19	0.11	0.10	0.08
VTA 30 G1 50K	30W	0.15	0.14	0.13	0.11

## PERFORMANCE COMPARISON

Product Series	Wattage	Lumens	Efficacy (LPW)	Replaces	Voltage	Max Mounting Height
VTA 20	20W	1,600 Lm	80	100W Incandescent/ 32W CFL	120-277V	8-18 ft
VTA 30	30W	2,400 Lm	80	150W Incandescent/ 42W CFL	120-277V	8-18 ft

Due to continuous product improvements, specification and/or equipment updates may change without notice.