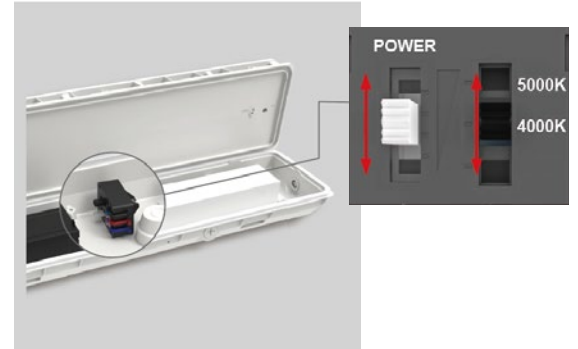
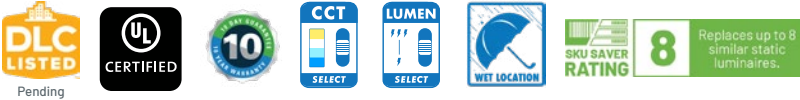


VLB G2

LED Selectable Low Bay Gen 2 **PERFORMANCE XP**

Due to continuous product improvements, specification and/or equipment updates may change without notice.



(Images are shown for illustration purposes only)

VLB G2 LED Low Bay

The **VLB 2 LS120** is a versatile LED option for low bay applications, giving your customers a single SKU option for a long-lasting solution backed by a 10-year warranty. Switch selectable lumen output from 5,000 - 13,000 Lumens - give your customers a quick quote using our 8-in-1 approach to lighting as the VLB is a great option for multiple projects.

Selectable Power & CCT

Catalog Number	Description	Lumens	Watts	CCT	Voltage
VLB 2 LS120 G2 FSK	LED Versatile Low Bay	Selectable 5,700 - 13,000 Lm	Selectable 40- 95 W	Selectable 4000K - 5000K	120V - 277V

ORDERING GUIDE

Example: **VLB 2 LS120 G2 FSK**

Fixture Type	Size	Selectable Lumen Output	Generation	Voltage	Selectable CCT	Finish	Options - Emergency Backup	Options - Controls	Options - Mounting
<ul style="list-style-type: none"> VLB Versatile Low Bay 	<ul style="list-style-type: none"> 2 ft 	<ul style="list-style-type: none"> LS120 5,700 Lm / 40W 7,800 Lm / 57W 10,000 Lm / 73W 13,000 Lm / 95W 	<ul style="list-style-type: none"> G2 Second Generation 	<ul style="list-style-type: none"> BLANK 120-277 V 	<ul style="list-style-type: none"> FSK 4000K 5000K 	<ul style="list-style-type: none"> BLANK White 	<ul style="list-style-type: none"> BLANK No backup. EMD-DH08D-UNV-055 Emergency backup, 8 W, 120-277V AC, All-in-one 	<ul style="list-style-type: none"> BLANK None Bluetooth Controls MSB-ACE-04 (OSLG sync) Bluetooth motion sensoR L3 8'-20' lens L7 20'-40' lens Standalone Controls MS-ACE-01 (OSLG sync) Standalone motion sensor L3 8'-20' lens L7 20'-40' lens RM51 Remote control for standalone sensor. 	<ul style="list-style-type: none"> BLANK Surface Mount VLB-VHOOK V-hook (2 pcs - requires chain or aircraft cables)

Performance Information

Series Number	Power Percentage	Lumens	Wattage	Efficacy	CCT
VLB LS120	100%	12,700 Lm	95 W	137 Lm/W	4000K/5000K
	80%	10,000 Lm	73 W	137 Lm/W	
	60%	7,800 Lm	57 W	137 Lm/W	
	40%	5,700 Lm	40 W	143 Lm/W	

Specifications

Housing

Die-cast aluminum.

Ambient Temperature

Suitable for use in -40° C to 45° C (-40° F to 113° F).

Mounting

Surface Mounting (default) and V-Hook Pendant mounting.

Efficacy

Up to 142 lumens per watt.

CCT and CRI

Field selectable: 4000K and 5000K.
CRI 80.

Lumen Output

Field selectable: 5,700 - 13,000 Lm.

Warranty

5-year limited warranty. Comprehensive warranty terms can be located on www.slqus.com.

Electrical

Standard 120V - 277V

Certifications

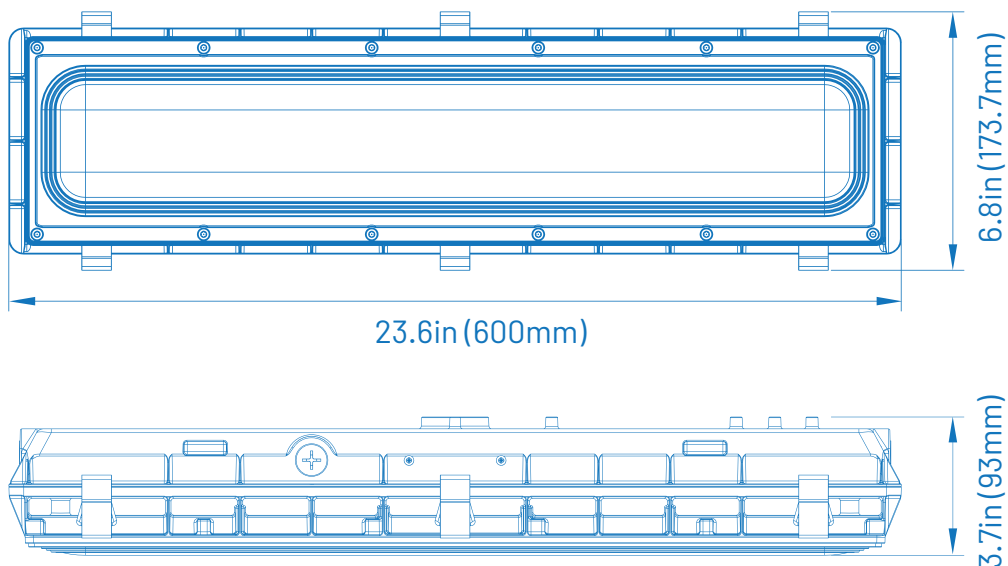
UL Listed for wet locations. FCC compliant. Design Lights Consortium® (DLC) listed qualified product pending.

Dimensions

VLB G2

Net weight:

95W: 8.197lbs



Mounting



Surface Mounting (Default)

V-Hook Pendant Mounting

Accessories



VLB-VHook
V-hook



MSB-ACE-04
Bluetooth Motion Sensor



MS-ACE-01
Motion Sensor



EMD-DH08D-UNV-055
Pre-installed emergency backup driver and battery (all-in-one)

Electrical Load

Power Setting	Wattage	Current (A)			
		120V	208V	240V	277V
Low	40 W	0.33	0.18	0.17	0.14
Med	57 W	0.48	0.27	0.54	0.20
High	73 W	0.61	0.35	0.30	0.26
Max	95 W	0.79	0.46	0.40	0.34

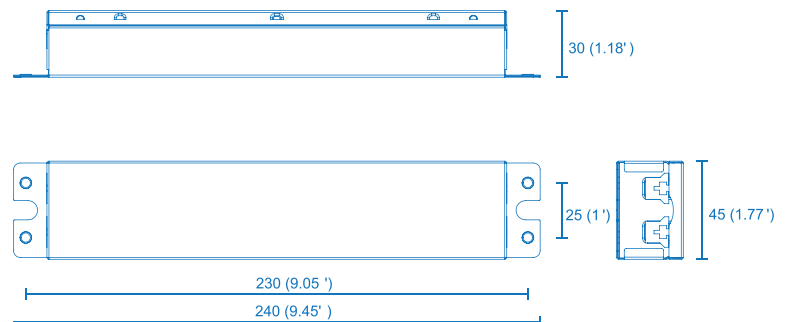
Emergency Backup Spec

Input voltage	Output voltage/power (Emergency mode)	Battery pack	Duration (E.M mode)
100-347Vac 50-60Hz	15-50V 8W, LVLE	LiFePO ₄ 6.4V,3.2Ah,20.48Wh	90minutes

Item	Data
Rated input voltage	100-347V,50/60Hz
Input current	80mA max
Input power	5W max
Power factor	0.7 @100VAC, 0.6@347VAC
Output wire L-out N-out (LED load input)	AC 3A Max
Output voltage range	DC50-180V,220V max
Output voltage(emergency mode)	8W constant power
Battery pack voltage/capacity	LiFePO ₄ 6.4 3200mAh, 21.48Wh
Recharge current	0-220mA
Recharge time	24hours
Discharge time	90 minutes
Max. casing temperature tc	70°C
Ambient operating temperature ta	10-60°C
Disign life	50000 hours
RFI/EMI	FCC

DIMENSIONS:

L240×W45×H30 mm
L9.45'× W 1.77'× H1.18'



Bluetooth Motion sensor



MSB-ACE-04
(Pictured with L7 lens)

Specifications:

Input Voltage AC120-277V	Output Power 1200W Max	Detection Range 40 - 80ft
Frequency 50/60Hz	Sinking Current 10mA Max	Operating Temperature -30°C to 55°C (-22°F to 131°F)
Input Current 10A Max @ 120V 4.3A Max @ 277V	Bluetooth Transmit 200 ft. Max	IP Rating IP66
Input Power 1200W Max	Radio Frequency 2.4 GHz +- 75 MHz	Warranty 5 Year warranty
Output Voltage AC120-277V	Mounting Height 20 - 40 ft	
Output Current 10A Max @ 120V 4.3A Max @ 277V	Dimming Class 2, 0-10V DC 10mA Max	

Commissioning

This Bluetooth sensor/controller is easily commissioned via the SLG Sync app, available for download on Google Play and the App Store.

App Download:



For commissioning guide and more information visit:

www.slgsync.com

Standalone Motion sensor



MS-ACE-01
(Pictured with L7 lens)

Specifications:

Input Voltage AC120-277V	Output Power 1200W Max	Operating Temperature -30°C to 65°C (-22°F to 149°F)
Frequency 60Hz	Sinking Current 10mA Max	Housing Material UL 94-5VA
Input Current 10A Max @ 120V, 4.3A Max @ 277V	Mounting Height 20-40 ft	Warranty 5 Year warranty
Input Power 1200W Max	IP Rating IP66	
Output Voltage AC120-277V	Dimming 0-10V DC 10mA Max	
Output Current 10A Max @ 120V, 4.3A Max @ 277V	Detection Range 40 - 80 ft	
	IR Remote Distance 26' MAX	

Commissioning

This basic sensor is commissioned via the RM51 remote. Either pre-commissioned or commissioned on site.

