

PROJECT: _____
 CATALOG #: _____
 FIXTURE TYPE: _____
 NOTES: _____

UDD Dusk to Dawn Gen 2



PERFORMANCE INFORMATION

SERIES NUMBER	WATT	LUMENS	CCT
UDD 65 G2 5K	45W	6,400	5000K
UDD 96 G2 5K	70W	9,600	5000K

The *Utility Dusk to Dawn Gen 2* area luminaire delivers unmatched light output and functionality in a rugged design that is ideal for low cost and maintenance security lighting applications. This versatile universal mounting allows for quick and easy installation and delivers a wide uniform distribution with excellent vertical illumination for maximum light coverage, whether it is wall mounted security lighting, residential street lighting, perimeter area lighting, parking areas, loading platforms, boat docks, access drives or pathways.

APPLICATIONS

Residential Street Lighting, Perimeter Area Lighting, Parking Areas, Loading Platforms, Boat Docks, Access Driveways and Pathways, Security Lighting, etc.

REPLACEMENT

100W - 175W MH

OPTIONS



Standard Arm Mount Included

ORDERING GUIDE						EXAMPLE: UDD 65 G2 5K
Luminaire Type	Lumen Output	Generation	Voltage	CCT	Photocell	Finish
UDD Dusk to Dawn	65 6,400 Lumens	G2	BLANK= 120-277V	4K 4000K	BLANK= 120-277V Photocell	BLANK= Dark Bronze S= Silver
	96 9,600 Lumens			5K 5000K		

Due to continuous product improvements, specification and/or equipment updates may change without notice.

SPECIFICATIONS

HOUSING

Die-cast aluminum.

AMBIENT TEMPERATURE

Suitable for use in -40°C to +45°C (-40°F to 113°F)

MOUNTING

Directly mounts to the wall surface or pole with mounting arm

EFFICACY

Up to 140 lumens per watt (see individual wattage data)

CCT AND CRI

4000K and 5000K CCT available; 70CRI

OPTICS

Frosted acrylic lens

WARRANTY

10-year limited warranty. Comprehensive warranty terms can be located on www.slgus.com.

ELECTRICAL

High quality constant-current driver greater than 90% efficiency and rated for 50/60Hz operation, standard 120-277 input. Standard NEMA Twist-Lock Photocell Included.

ENERGY DATA

Power factor $\geq 90\%$.

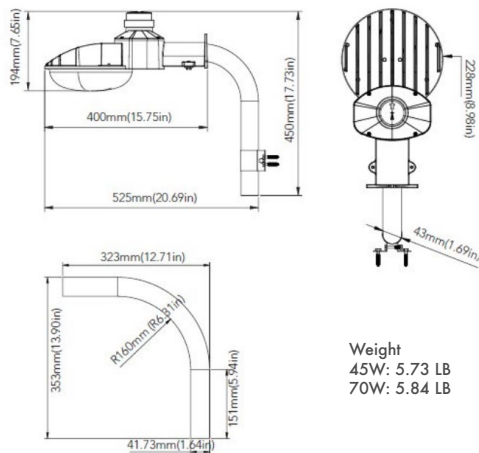
FINISH

Polyester Powder Coat in Dark Bronze. Optional Polyester Powder Coat in Silver, please call for custom color order.

CERTIFICATIONS

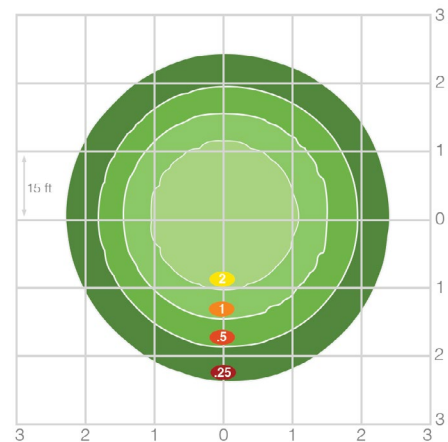
UL Listed for wet locations, IP65 Rating. FCC compliant. RoHs compliant. Design Lights Consortium® (DLC) Standard 5.0 qualified product. Not all versions of this product may be DLC qualified. Please visit www.slgus.com to confirm which versions are qualified.

DIMENSIONS



Weight
45W: 5.73 LB
70W: 5.84 LB

PHOTOMETRIC



UDD 62 G2 5K

15 ft mounting height

ELECTRICAL LOAD

Series Number	Wattage	Current (A)			
		120V	208V	240V	277V
UDD 65 G2 5K	45W	0.38	0.22	0.19	0.16
UDD 96 G2 5K	70W	0.58	0.34	0.29	0.25

Due to continuous product improvements, specification and/or equipment updates may change without notice.