

TSB G1

LED Strip - Bluetooth Controls Ready Gen 1 **CONTROL XP**

Due to continuous product improvements, specification and/or equipment updates may change without notice.



(Images are shown for illustration purposes only)

TSB 4 - 4' Pictured with motion sensor

The TSB Bluetooth Controls Ready Strip is a control experience LED strip light - designed to save you money, save you time, and install quickly with the use of our free controls/commissioning SLG Sync app. Adjust outputs from your fingertips using the app or an SLG Sync Bluetooth wall switch. 4' and 8' strip lengths available.

Catalog Number	Description	Lumens	Watts	CCT	Voltage
TSB 4 LS60 G1 FSK	LED Strip - 4' - Bluetooth Controls Ready	Controls Adjustable 5,900 Lm Max	Controls Adjustable 45 W Max	Controls Adjustable 3000K - 5000K	120V - 277V
TSB 8 LS100 G1 FSK	LED Strip - 8' - Bluetooth Controls Ready	Controls Adjustable 9,900 Lm Max	Controls Adjustable 75 W Max	Controls Adjustable 3000K - 5000K	120V - 277V

ORDERING GUIDE

Example: TSB 4 LS60 G1 FSK

Fixture Type	Size	Adjustable Lumen Output	Generation	Voltage	Adjustable CCT	Finish	Motion Sensor
<ul style="list-style-type: none"> TSB LED Strip - Bluetooth Controls Ready 	• 4 - 4'	<ul style="list-style-type: none"> LS60 5,900 Lm / 45W Max 	<ul style="list-style-type: none"> G1 First Generation 	<ul style="list-style-type: none"> BLANK 120-277 V 	<ul style="list-style-type: none"> FSK 3000K - 5000K 	<ul style="list-style-type: none"> BLANK White 	<ul style="list-style-type: none"> BLANK None MSE DCI-08 Low Bay Sensor
	• 8 - 8'	<ul style="list-style-type: none"> LS100 9,900 Lm / 75W Max 					

Performance Information

Series Number	TSB 4 LS60 G1 FSK (4')				TSB 8 LS100 G1 FSK (8')			
CCT	3000K	3500K	4000K	5000K	3000K	3500K	4000K	5000K
Lumens	5,850 Lm	5,895 Lm	5,940 Lm	5,985 Lm	9,750 Lm	9,825 Lm	9,900 Lm	9,975 Lm
Efficacy	130 Lm/W	131 Lm/W	132 Lm/W	133 Lm/W	130 Lm/W	131 Lm/W	132 Lm/W	133 Lm/W

Data based on popular CCT color options and fixture at it's highest power settings.

Specifications

Housing

Sheet metal stamping.

Ambient Temperature

Suitable for use in -20° C to 50° C (-4° F to 122° F).

Mounting

Surface mounting by 2 screws, 2 cover plates for junction box included.

Efficacy

130+ lumens per watt.

CCT and CRI

Wireless controls adjustable: 3000K - 5000K, 80CRI

Lumen Output

Wireless controls adjustable: 5,900 Lm Max (4 foot fixture).
9,900 Lm Max (8 foot fixture).

Warranty

5-year limited warranty. Comprehensive warranty terms can be located on www.slgus.com.

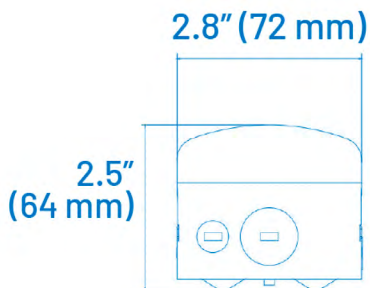
Electrical

Standard 120V - 277V. 0-10V dimming.

Certifications

UL Listed for damp locations. FCC compliant. Design Lights Consortium® (DLC) 5.1 qualification is pending.

Dimensions



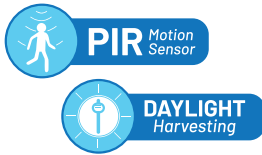
4' Strip: 47.3" (1202 mm)

8' Strip: 94.2" (2392 mm)

TSB G1

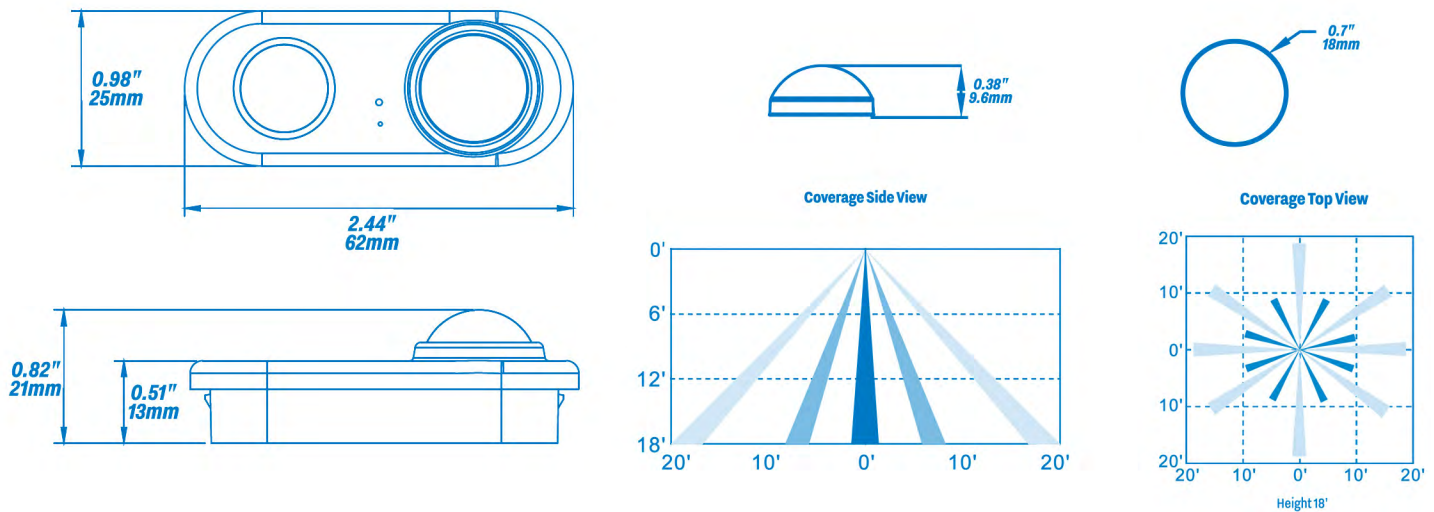


Motion sensor

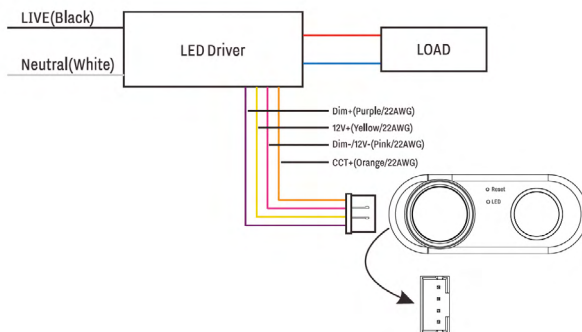


MSE-DCI-08 Motion Sensor

Dimensions



Wiring



Specifications

Input Voltage DC 12V	Bluetooth Version 4.2	Sinking Current 10mA Max	Mounting Height 18 ft Max	Operating Temperature -30°C to 55°C (-22°F to 131°F)
Input Current 25mA Max	Output Current 10mA Max	Bluetooth Transmit 100 ft. Max	Dimming Class 2, 0-10V DC 10mA Max	Warranty 5 Year warranty
Input Power 0.3W	Output Power 0.1W	Radio Frequency 2.4 GHz +- 75 MHz	Detection Range 40 ft Max	IP Rating IP20 - Indoor Only