

PROJECT:	_____
CATALOG #:	_____
FIXTURE TYPE:	_____
NOTES:	_____

TP G2 Wattage Selectable Backlit Panel



The *TP G2 Wattage Selectable Backlit Panel Series* is well designed with innovative backlit technology for even, edge-to-edge illumination that covers the entire surface of the panel. This economical flat panel is available in three sizes and features higher lumens and improved performance with no effects of yellowing with time. Easy to install and built to last, this luminaire is perfectly suited for a wide variety of applications including schools, offices, and medical facilities.



Backlit LEDs



Utilizing innovative backlit technology for even, edge-to-edge illumination.

APPLICATIONS

Commercial, Retail, Educational, Healthcare, etc.



SPECIFICATIONS

CONSTRUCTION

Lightweight aluminum frame housing

AMBIENT TEMPERATURE

Suitable for use in -20°C to 50°C (-4°F to 122°F)

MOUNTING

Surface, Recessed, and Suspension Cable mounting with customized accessories available.

LUMEN OUTPUT

Lumen packages ranging from 2,900 to 5,600 lumens

CCT AND CRI

3500K, 4000K and 5000K CCT available; 80CRI

OPTICS

White frosted diffuser

WARRANTY

5-year limited warranty. Comprehensive warranty terms can be located on www.slgus.com.

LIFESPAN

L70 > 50,000 hrs @ 25°C

ELECTRICAL

50/60Hz Operation with 120-277V input. Standard 0-10V dimming.

FINISH

Standard Polyester Powder White finish

CERTIFICATIONS

UL Listed for damp locations. Design Lights Consortium® (DLC) Standard 5.1 qualified product. Not all versions of this product may be DLC qualified. Please visit www.slgus.com to confirm which versions are qualified.

Due to continuous product improvements, specification and/or equipment updates may change without notice.

OPTIONS



EL UNV-8W Panel

ORDERING GUIDE					EXAMPLE: TP 22 30/35/45 G2 35K	
Luminaire Type	Size & Lumen Output	Generation	Voltage	CCT	Finish	Options
TP Backlit Panel Series	<input type="checkbox"/> 14 1' x 4' 30/35/45 2,925/3,420/4,400 Lumens <input type="checkbox"/> 22 2' x 2' 30/35/45 2,925/3,420/4,400 Lumens <input type="checkbox"/> 24 2' x 4' 35/45/55 3,510/4,560/5,550 Lumens	G2	BLANK= 120-277V	<input type="checkbox"/> 35K 3500K <input type="checkbox"/> 40K 4000K <input type="checkbox"/> 50K 5000K	BLANK=White	BLANK= No option EL UNV-8W-PANEL= Emergency Driver 8W TP-SCABLE Suspended Cable for Panel, 1 set per luminaire, 7 ft. max.

RECOMMENDED REPLACEMENT & MOUNTING HEIGHT

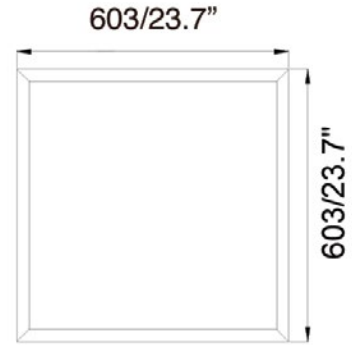
Size	Wattage	Lumen Range	Equivalence	Mounting Height
1ft x 4ft	25W/30W/40W	2,900 – 4,480	1ft x 4ft Fluorescent Troffers	8-12ft
2ft x 2ft	25W/30W/40W	2,900 – 4,480	2ft x 2ft Fluorescent Troffers	
2ft x 4ft	30W/40W/50W	3,480 – 5,600	2ft x 4ft Fluorescent Troffers	

Due to continuous product improvements, specification and/or equipment updates may change without notice.

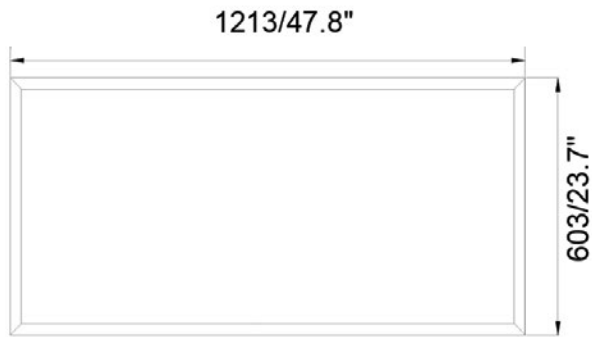
DIMENSIONS



TP 14
Depth: 44/1.7"
Weight: 5.8 lbs.



TP 22
Depth: 44/1.7"
Weight: 5.25 lbs.



TP 24
Depth: 44/1.7"
Weight: 9.4 lbs.

Due to continuous product improvements, specification and/or equipment updates may change without notice.

PERFORMANCE DATA

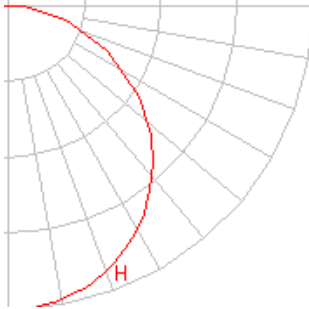
SELECTABLE WATTAGE	SIZE	3500K		4000K		5000K	
		LUMENS	EFFICACY	LUMENS	EFFICACY	LUMENS	EFFICACY
25W	1ft x 4ft	2,900	116	2,925	117	2,950	118
30W		3,390	113	3,420	114	3,450	115
40W		4,440	110	4,440	111	4,480	112
25W	2ft x 2ft	2,900	116	2,925	117	2,950	118
30W		3,390	113	3,420	114	3,450	115
40W		4,440	110	4,440	111	4,480	112
30W	2ft x 4ft	3,480	116	3,510	117	3,540	118
40W		4,520	113	4,560	114	4,600	115
50W		5,500	110	5,550	111	5,600	112

ELECTRICAL LOAD

Wattage	Current (A)			
	120V	208V	240V	277V
25W	0.21	0.12	0.10	0.09
30W	0.25	0.14	0.13	0.11
40W	0.33	0.19	0.17	0.14
50W	0.42	0.24	0.21	0.18

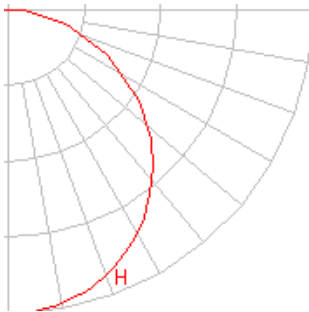
Due to continuous product improvements, specification and/or equipment updates may change without notice.

PHOTOMETRIC DATA



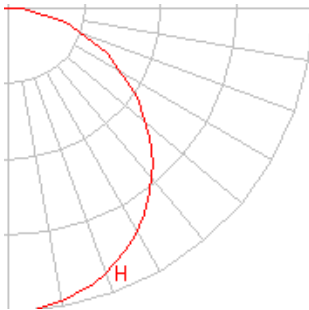
TP 14 30/35/45 G2 40K

Wattage: 25W/30W/40W
 Lumens: 2,925 Lm/3,420 Lm/ 4,440 Lm
 Beam Angle: 113°



TP 22 30/35/45 G2 40K

Wattage: 25W/30W/40W
 Lumens: 2,925 Lm/3,420 Lm/ 4,440 Lm
 Beam Angle: 113°



TP 24 35/45/55 G2 40K

Wattage: 30W/40W/50W
 Lumens: 3,510 Lm/4,560 Lm/ 5,550 Lm
 Beam Angle: 114°

FIXTURE MOUNTING HEIGHT	8ft	9ft	10ft	11ft	12ft
RECOMMENDED MAX FIXTURE SPACING	10ft	12ft	12ft	14ft	16ft

CCT	3500K	4000K	5000K
LUMEN MULTIPLIER	0.99	1	1.01

Due to continuous product improvements, specification and/or equipment updates may change without notice.