

PROJECT: _____
 CATALOG #: _____
 FIXTURE TYPE: _____
 NOTES: _____

TP G2 LED Backlit Panel



PERFORMANCE INFORMATION

SIZE	SERIES NUMBER	WATT	LUMENS	CCT
1' x 4'	TP 14 45 G2 40K	40W	4,500	4000K
2' x 2'	TP 22 35 G2 40K	30W	3,500	4000K
2' x 2'	TP 22 45 G2 40K	40W	4,500	4000K
2' x 4'	TP 24 45 G2 40K	40W	4,500	4000K
2' x 4'	TP 24 55 G2 40K	50W	5,500	4000K
2' x 4'	TP 24 70 G2 40K	60W	6,600	4000K

The next generation **TP G2 Backlit Panel Series** is well designed with innovative backlit technology for even, edge-to-edge illumination that covers the entire surface of the panel. This economical flat panel is available in three sizes and features higher lumens and improved performance with no effects of yellowing with time. Easy to install and built to last, this luminaire is perfectly suited for a wide variety of applications including schools, offices, and medical facilities.

APPLICATIONS

Commercial, Educational, Healthcare Facilities, Medical, Offices, and Retail, etc.

Backlit LEDs



Utilizing innovative backlit technology for even, edge-to-edge illumination.

ORDERING GUIDE

EXAMPLE: TP 22 45 G2 40K

Luminaire Type	Size	Lumen Output	Generation	Voltage	CCT	Finish	Options
TP Backlit Panel Series	14 1' x 4'	45 4,400 Lumens	G2	BLANK= 120-277V	35K 3500K 40K 4000K 50K 5000K	BLANK=White	BLANK No option EL UNV-8W-PANEL Emergency Driver 8W 2x2SMK-PANEL-3IN Surface Mounting Kit for TPS 22 - 3" height 2x4SMK-PANEL-4IN Surface Mounting Kit for TPS 24 - 4" height 1x4SMK-4IN Surface Mounting Kit for TPS 14 - 4" height 2X2FLANGE Flange kit for TPS 22 2X4FLANGE Flange kit for TPS 24 1X4FLANGE Flange kit for TPS 14 TP-SCABLE Suspended Cable for Panel, 1 set per luminaire, 7 ft. max.
	22 2' x 2'	35 3,300 Lumens 45 4,400 Lumens					
	24 2' x 4'	45 4,440 Lumens 55 5,500 Lumens					
		70 6,600 Lumens					

Due to continuous product improvements, specification and/or equipment updates may change without notice.

SPECIFICATIONS

HOUSING

Light weight aluminum frame housing.

AMBIENT TEMPERATURE

Suitable for use in -20°C to 45°C (-4°F to 113°F)

MOUNTING

Surface, Recessed, and Suspension Cable mounting with customized accessories available.

EFFICACY

110 lumens per watt (see individual wattage data)

CCT AND CRI

3500K, 4000K and 5000K CCT available; 80CRI

OPTICS

White frosted diffuser

WARRANTY

5-year limited warranty. Comprehensive warranty terms can be located on www.slgus.com.

ELECTRICAL

50/60Hz Operation with 120-277V input. Standard 0-10V dimming.

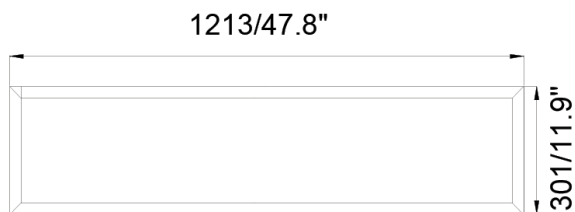
FINISH

Standard Polyester Powder White finish.

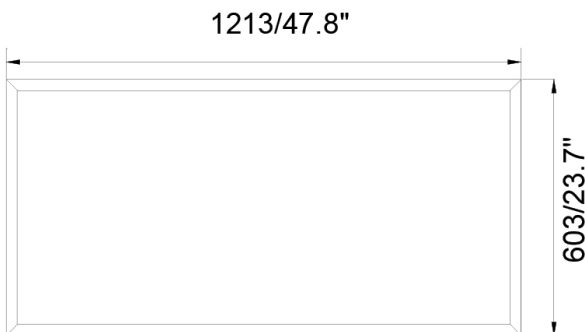
CERTIFICATIONS

UL Listed for damp locations. FCC compliant. RoHS compliant. Design Lights Consortium® (DLC) Standard 5.0 qualified product. Not all versions of this product may be DLC qualified. Please visit www.slgus.com to confirm which versions are qualified.

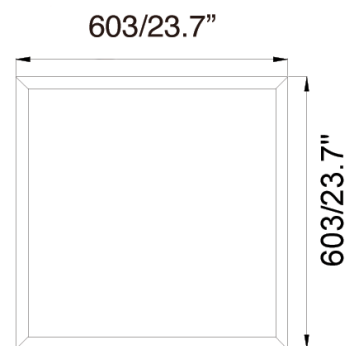
DIMENSIONS



TP 14
Depth: 44/1.7"
Weight: 5.8 lbs.



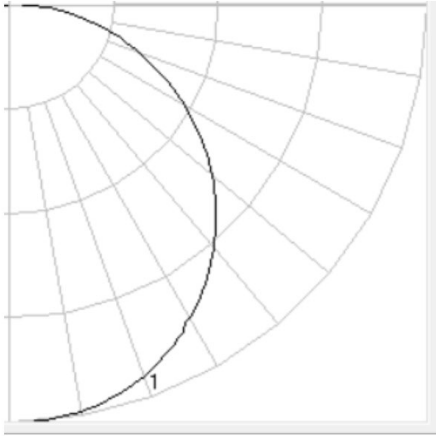
TP 24
Depth: 44/1.7"
Weight: 9.4 lbs.



TP 22
Depth: 44/1.7"
Weight: 5.25 lbs.

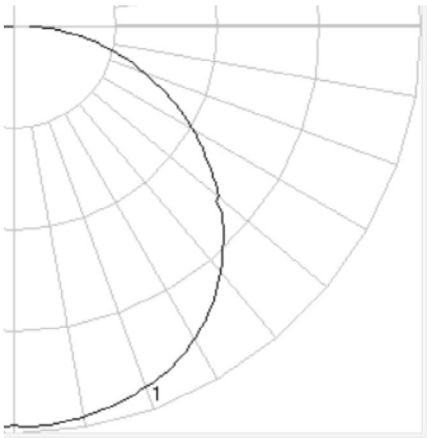
Due to continuous product improvements, specification and/or equipment updates may change without notice.

PHOTOMETRIC DATA



TP 22 35 G2 35K

Lumens: 3,300 Lumens
 Power: 30W
 Efficacy: 110 lm/W
 Beam Angle: 120°
 Spacing Criterion: 1.28



TP 24 45 G2 35K

Lumens: 4,400 Lumens
 Power: 40W
 Efficacy: 110 lm/W
 Beam Angle: 120°
 Spacing Criterion: 1.30

ELECTRICAL DATA

Watt	Current (A)			
	120V	208V	240V	277V
30W	0.25	0.14	0.13	0.11
40W	0.33	0.19	0.17	0.14
50W	0.42	0.26	0.21	0.18
60W	0.50	0.29	0.25	0.22

Due to continuous product improvements, specification and/or equipment updates may change without notice.