

TPB G1

LED Panel - Bluetooth Controls Ready Gen 1 **CONTROL XP**

Due to continuous product improvements, specification and/or equipment updates may change without notice.



TPB 22 - 2' x 2'



TPB 24 - 2' x 4'

(Images are shown for illustration purposes only)

The TPB Controls Ready Panel is a stand alone control experience LED panel series - designed to save you money, save you time, and install quickly with the use of our free controls/commissioning SLG Sync app. Adjust outputs from your fingertips using the app or an SLG Sync Bluetooth wall switch. 2'x 2' and 2' x 4' panels available.

Catalog Number	Description	Lumens	Watts	CCT	Voltage
TPB 22 LS38 G1 FSK	LED Panel - 2' x 2' - Bluetooth Controls Ready	Controls Adjustable 3,800 Lm Max	Controls Adjustable 30 W Max	Controls Adjustable 3000K - 5000K	120V - 277V
TPB 24 LS64 G1 FSK	LED Panel - 2' x 4' - Bluetooth Controls Ready	Controls Adjustable 6,400 Lm Max	Controls Adjustable 50 W Max	Controls Adjustable 3000K - 5000K	120V - 277V

ORDERING GUIDE

Example: TPB 22 LS38 G1 FSK

Fixture Type	Size	Adjustable Lumen Output	Generation	Voltage	Dimming	Adjustable CCT	Emergency Driver	Motion Sensor
• TPB LED Panel - Bluetooth Controls Ready Retrofit Kit	• 22 2' x 2'	• LS38 3,800 Lm/ 30W Max	• G1 Gen 1	• BLANK 120-277 V	• BLANK 0-10V Continuous dimming	• FSK 3000K - 5000K	• EL UNV-8W-PANEL Emergency Driver 8W	• MSE DCI-08 Low Bay Sensor
	• 24 2' x 4'	• LS64 6,400 Lm/ 50W Max						

Specifications

Housing and Lens

Steel sheet and extruded aluminum with frosted polystyrene lens.

Ambient Temperature

-20° C to 45° C (-4° F to 113° F).

Mounting

Recessed ceiling mounting ready - surface mounting or suspended installation with separate mounting kit.

Efficacy

125+ lumens per watt.

CCT and CRI

Wireless controls adjustable: 3000K - 5000K, 80CRI

Lumen Output

Wireless controls adjustable: 3,800 Lm Max (1' x 4' fixture),
3,800 Lm Max (2' x 2' fixture),
6,400 Lm Max (2' x 4' fixture).

Driver

Bluetooth control module is integrated into the driver.

Warranty

5-year limited warranty. Comprehensive warranty terms can be located on www.slgus.com.

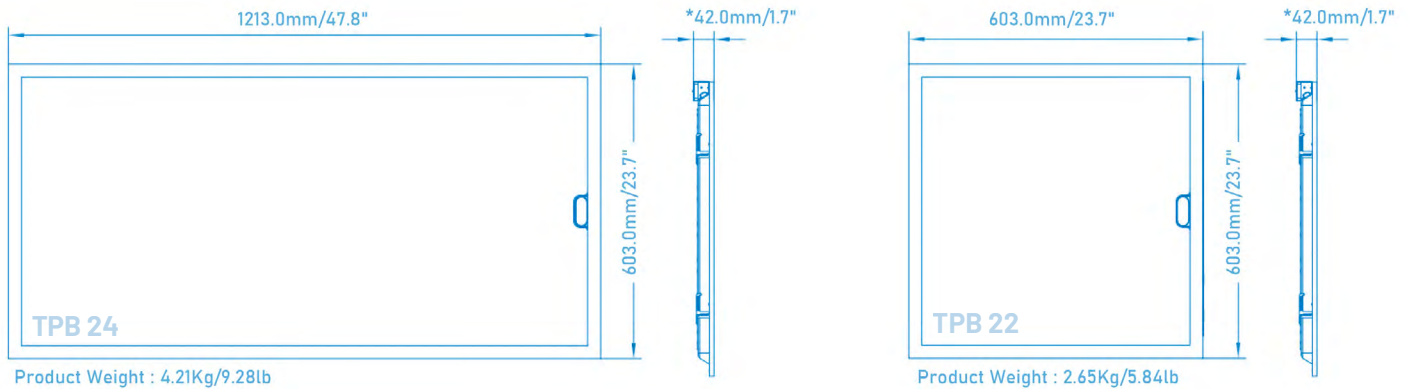
Electrical

Standard 120V - 277V. 0-10V dimming.

Certifications

UL Listed for damp locations pending. FCC compliant. Design Lights Consortium® (DLC) Premium 5.1 qualification is pending.

Dimensions

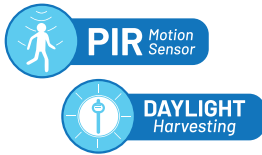


Performance Information

Series Number	TPB 22 LS38 G1 FSK (2' x 2')				TPB 24 LS64 G1 FSK (2' x 4')			
CCT	3000K	3500K	4000K	5000K	3000K	3500K	4000K	5000K
Lumens	3,750 Lm	3,780 Lm	3,810 Lm	3,840 Lm	6,250 Lm	6,300 Lm	6,350 Lm	6,400 Lm
Efficacy	125 Lm/W	126 Lm/W	127 Lm/W	128 Lm/W	125 Lm/W	126 Lm/W	127 Lm/W	128 Lm/W

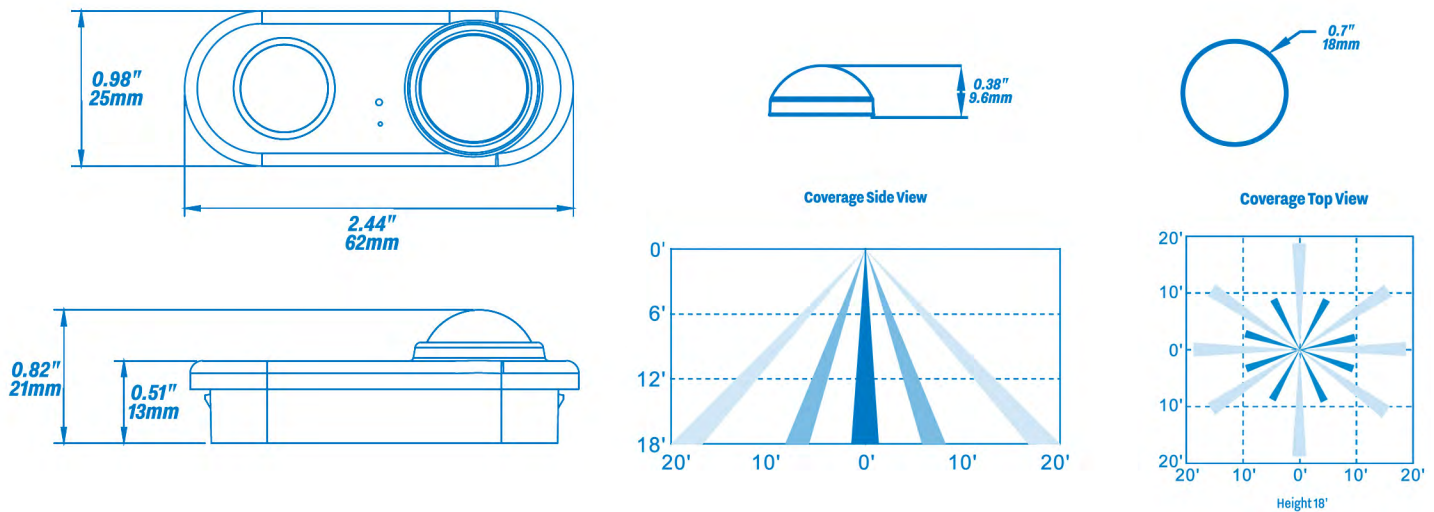
Data based on popular CCT color options and fixture at its highest power settings.

Motion sensor

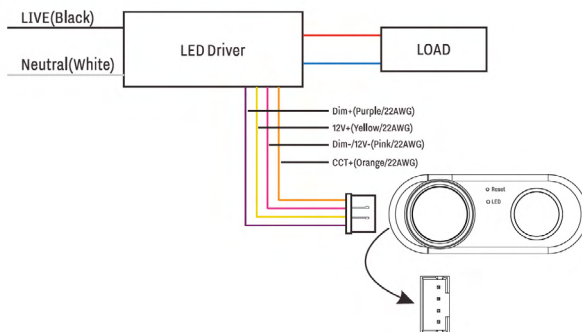


MSE-DCI-08 Motion Sensor

Dimensions



Wiring



Specifications

Input Voltage DC 12V	Bluetooth Version 4.2	Sinking Current 10mA Max	Mounting Height 18 ft Max	Operating Temperature -30°C to 55°C (-22°F to 131°F)
Input Current 25mA Max	Output Current 10mA Max	Bluetooth Transmit 100 ft. Max	Dimming Class 2, 0-10V DC 10mA Max	Warranty 5 Year warranty
Input Power 0.3W	Output Power 0.1W	Radio Frequency 2.4 GHz +- 75 MHz	Detection Range 40 ft Max	IP Rating IP20 - Indoor Only