

Zone Controller

UL924 Emergency Lighting Controller

Description:

A 30mA Zone Controller for emergency lighting applications, compliant with UL1376, UL924, RoHS, and suitable for use in return air plenum Rated UL2043. Download our SLG Sync app on IOS/android for easy commissioning, convient controls, and a total lighting network experience.



Pending Pending

Features:

- Option for remote test button or fire alarm interface.
- Dual color function LED indicator.
- Suitable for use in return air plenum Rated UL2043.
- Comply to UL1376, UL924, RoHS.
- Only one ZCB-AC-09 needed per zone.
- Check www.slgus.com/slg-sync for SLG Lighting fixture compatibility.
- 5 Year Warranty



ZCB-AC-09
Zone Controller

Ordering Information:

Power Pack

Product Number	Description
ZCB-AC-09	Emergency Lighting Controller 120-277V 30mA

Specifications

Input Voltage AC120-277V	Input Power 5W	Bluetooth Transmit 100 ft. Max.	Warranty 5 Year warranty
Frequency 50/60 Hz	Operating Temperature -30°C to 50°C (-22°F to 122°F)	Radio Frequency 2.4GHz +- 75MHz	IP Rating IP20
Input Current 30mA			

App Download:



Commissioning:

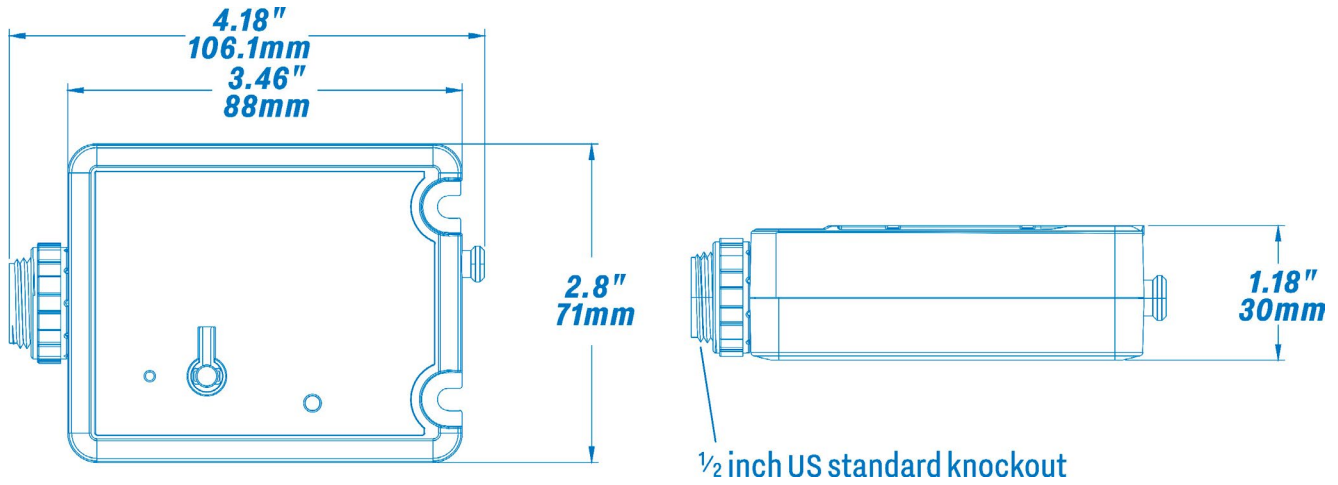
SLG Sync mobile App is the easiest way to pair devices, create groups, set scenes, set schedules, dimming, color tuning, and adjust high trim based on needs.

Visit www.slgus.com/slgsync for How-to-Videos and a comprehensive commissioning guide.

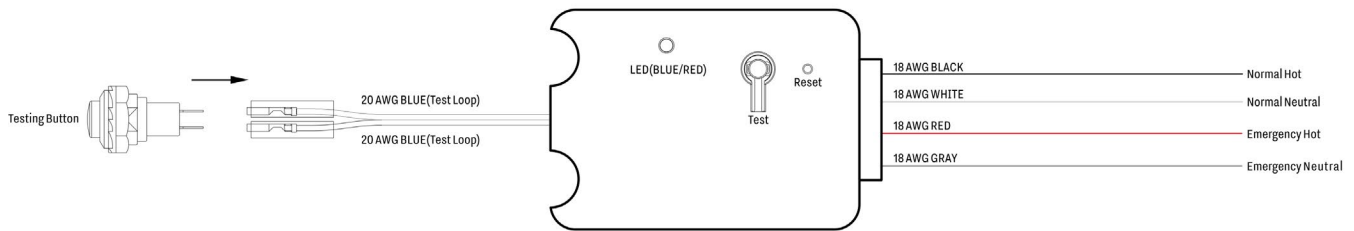


Due to continuous product improvements, specification and/or equipment updates may change without notice.

Dimensions



Wiring



Due to continuous product improvements, specification and/or equipment updates may change without notice.