

# Bluetooth Sensor

## LOW VOLTAGE CEILING SENSOR KIT

### Description:

Our low-voltage Bluetooth wireless PIR/Daylight sensor for ceiling installations. This sensor provides coverage at heights up to 20 ft with an IP66 rating. Download our SLG Sync app on IOS/android for easy commissioning, convient controls, and a total lighting network experience.



**MSB-DCE-07**  
Non-UV Resistant White Finish



**MSB-DCE-07-W**  
UV Resistant Black Finish

### Features:

- Luminaire Level Lighting Control (LLLC) enabled with wireless bluetooth technology.
- User friendly commissioning with SLG Sync App (Available in IOS and Android).
- Local Bluetooth Network - no gateway needed.
- PIR and Daylight Harvesting motion sensor connected with FCE-ACI-03, provide network lighting control.
- Individual Addressability and/or Grouping
- Multi-level dimming: Manual ON/OFF Automatic ON/OFF, and Automatic Partial ON/OFF control capability
- Ability to create scenes for more customized dimming scenarios
- Time clock scheduling for individual lights, groups, or scenes
- Check [www.slgus.com/slg-sync](http://www.slgus.com/slg-sync) for SLG Lighting fixture compatibility.
- 5 Year Warranty

### Motion Sensor Accessory:



**CM01**  
Ceiling recessed adapter



**CS4-22/3-300V-W-6FT**  
Power-limited Circuit Cable

### Ordering Information:

#### Sensor

Product Number	Description
<b>MSB-DCE-07</b>	Bluetooth Wireless Ceiling Sensor Kit- Indoor Use - Non-UV resistant white finish
<b>MSB-DCE-07-W</b>	Bluetooth Wireless Ceiling Sensor Kit- Indoor Use - UV resistant black finish

#### Accessories

Product Number	Description
<b>CM01</b>	Recessed ceiling adapter
<b>CS4-22/3-300V-W-6FT</b>	Power-limited Circuit Cable 22AWG Length 6.56 ft.

### App Download:



Pending

Pending

### Commissioning:

SLG Sync mobile App is the easiest way to pair devices, create groups, set scenes, set schedules, dimming, color tuning, and adjust high trim based on needs.

Visit [www.slgus.com/slgsync](http://www.slgus.com/slgsync) for How-to-Videos and a comprehensive commissioning guide.



Due to continuous product improvements, specification and/or equipment updates may change without notice.

## Specifications:

### Input Voltage

DC 12V

### Output Current

10mA Max

### Bluetooth Transmit

200 ft. Max

### Detection Range

50 ft

### Operating Temperature

-30°C to 55°C (-22°F to 131°F)

### Input Current

40mA Max

### Output Power

0.1W

### Radio Frequency

2.4 GHz +- 75 MHz

### Mounting Height

20 ft

### Warranty

5 Year warranty

### Input Power

1.5 W

### Sinking Current

10mA Max

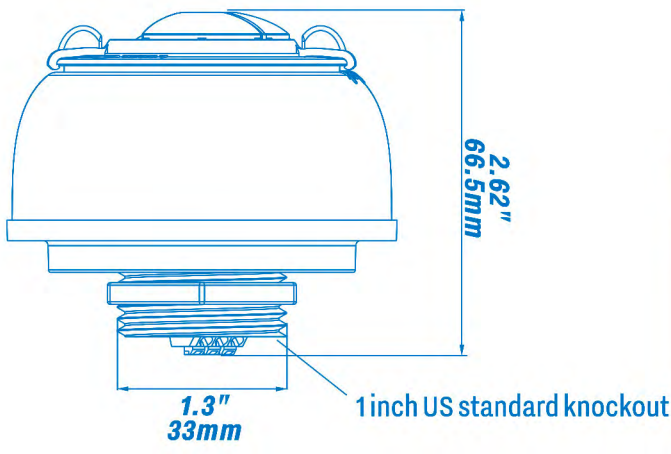
### IP Rating

IP66

### Dimming

Class 2, 0-10V DC 10mA Max

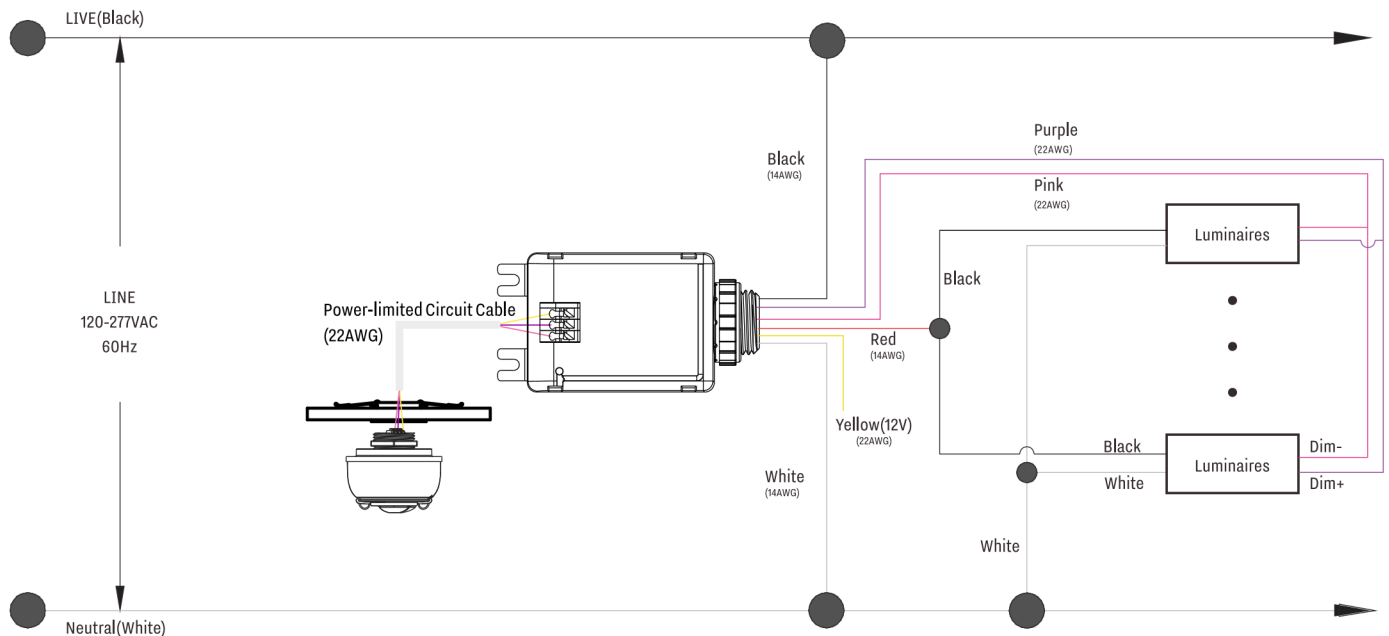
## Dimensions



### American Inch Products

Size	T.P.I	Major Dia.
	Inch	Inch
M33	11	1.3

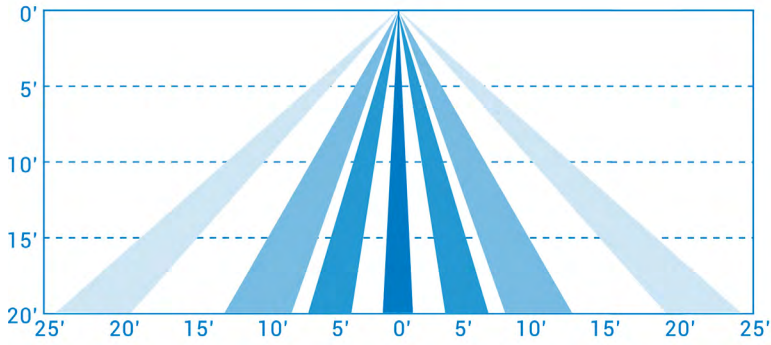
## Wiring



Due to continuous product improvements, specification and/or equipment updates may change without notice.

# Coverage

Coverage Side View



Coverage Top View

