

## Bluetooth Sensor

# Bluetooth External Sensor and Controller

### Description:

Our AC powered external wireless, Bluetooth sensor and controller. This sensor provides coverage at heights ranging from 20-40 ft with detection from 40 - 80 ft. Download our SLG Sync app on IOS/android for easy commissioning, convient controls, and a total lighting network experience.



### Features:

- Luminaire Level Lighting Control (LLLC) enabled with wireless bluetooth technology.
- Built-in analog sensor.
- Replaceable high bay or mid bay lens options.
- 120-277V Line Voltage input.
- Local Bluetooth Network - no gateway needed.
- Occupancy, Photocell and Daylight Harvesting on select models.
- Individual Addressability and/or Grouping.
- Multi-level dimming: Manual ON/OFF Automatic ON/OFF, and Automatic Partial ON/OFF control capability.
- Ability to create scenes for more customized dimming scenarios.
- Time clock scheduling for individual lights, groups, or scenes.
- High-Trim/Tuning sets the maximum light level based on customer requirements in each space.
- Check [www.slgus.com/slg-sync](http://www.slgus.com/slg-sync) for SLG Lighting fixture compatibility.
- 5 Year Warranty.



**MSB-ACE-04** Motion sensor  
(pictured with High Bay lens)

### Motion Sensor Accessories:



**MSB-20-L7**  
High Bay Lens



**MSB-20-L3**  
Medium Bay Lens

### Ordering Information:

#### Sensor/Controller

Product Number	Description
MSB-ACE-04	AC, External - Bluetooth Wireless Sensor & Controller

#### Accessories

Product Number	Description
MSB-20-L7	High Bay lens, 1.3" fitting, 20-40ft mounting height, max 80ft diameter coverage
MSB-20-L3	Medium Bay lens, 1.3" fitting, 8-20ft mounting height, max 50ft diameter coverage

### App Download:



### Commissioning:

SLG Sync mobile App is the easiest way to pair devices, create groups, set scenes, set schedules, dimming, color tuning, and adjust high trim based on needs.

Visit [www.slgus.com/slgsync](http://www.slgus.com/slgsync) for How-to-Videos and a comprehensive commissioning guide.



Due to continuous product improvements, specification and/or equipment updates may change without notice.

# Specifications

**Input Voltage**  
AC120-277V

**Frequency**  
50/60Hz

**Input Current**  
10A Max @ 120V  
4.3A Max @ 277V

**Input Power**  
1200W Max

**Output Voltage**  
AC120-277V

**Output Current**  
10A Max @ 120V  
4.3A Max @ 277V

**Output Power**  
1200W Max

**Sinking Current**  
10mA Max

**Bluetooth Transmit**  
200 ft. Max

**Radio Frequency**  
2.4 GHz +- 75 MHz

**Mounting Height**  
20 - 40 ft

**Dimming**  
Class 2, 0-10V DC 10mA Max

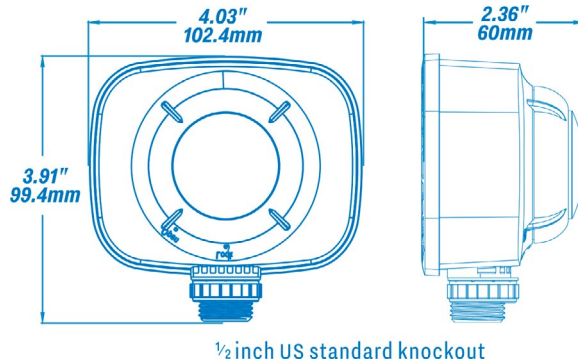
**Detection Range**  
40 - 80ft

**Operating Temperature**  
-30°C to 55°C (-22°F to 131°F)

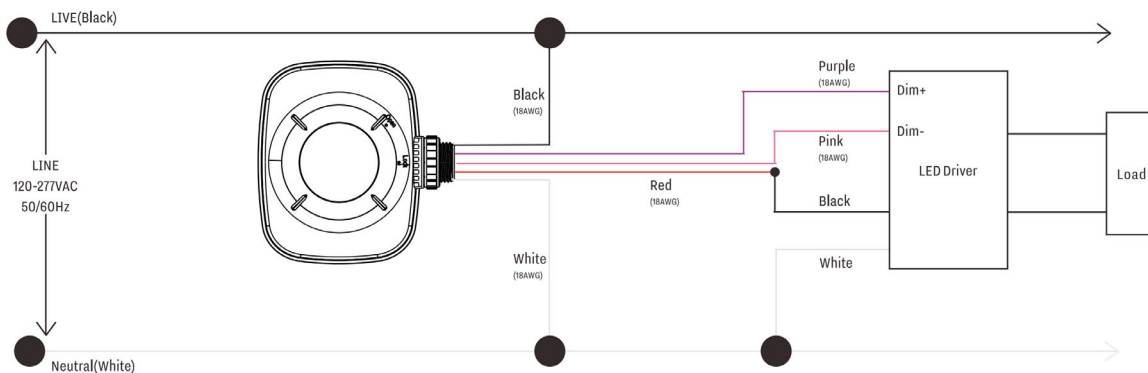
**IP Rating**  
IP66

**Warranty**  
5 Year warranty

# Dimensions



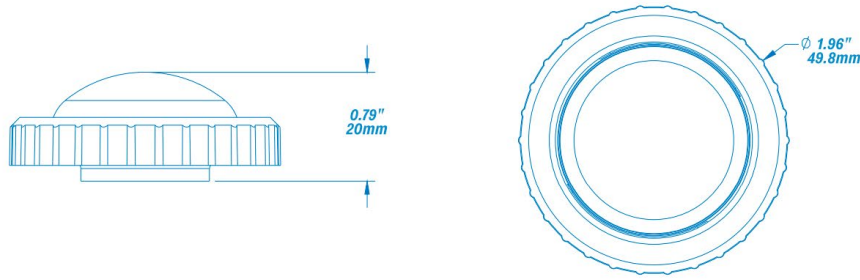
# Wiring



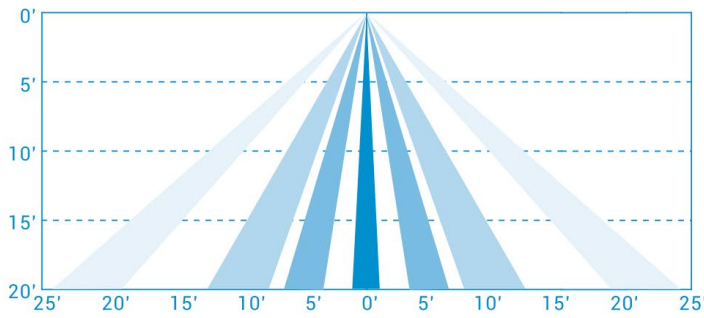
Due to continuous product improvements, specification and/or equipment updates may change without notice.

# Lens Options

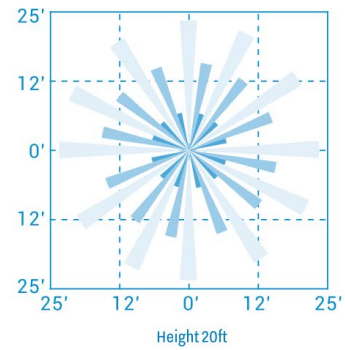
## Medium Bay Lens: MSB-20-L3 (2" fitting)



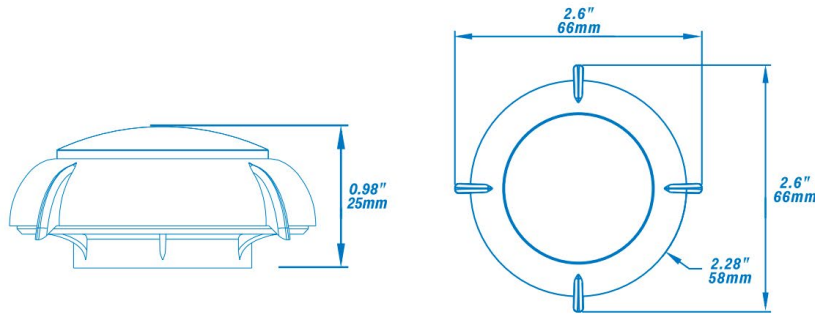
Coverage Side View



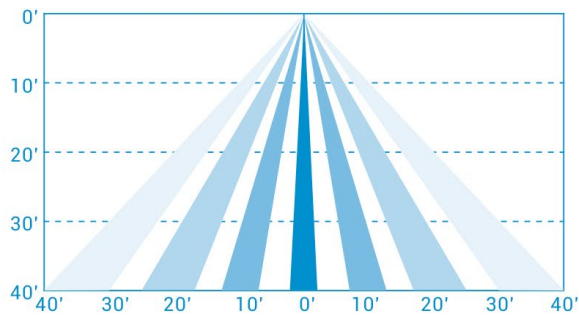
Coverage Top View



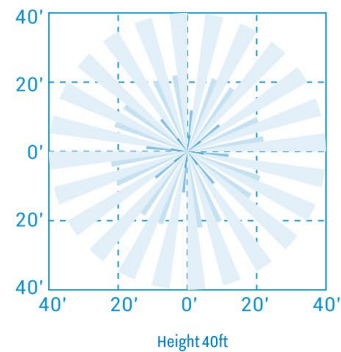
## High Bay Lens: MSB-20-L7 (2" fitting)



Coverage Side View



Coverage Top View



Due to continuous product improvements, specification and/or equipment updates may change without notice.