

Bluetooth Sensor

3.5mm PIN BLUETOOTH SENSOR & CONTROLLER

Description:

Our low-voltage Bluetooth wireless PIR/Daylight sensor with an integrated 3.5mm jack is designed for simple plug-in installation. This sensor provides 360° coverage at heights ranging from 20-40Ft with an IP66 rating, 40' radius detection range from 40Ft height. Download our SLG Sync app on IOS/android for easy commissioning, convient controls, and a total lighting network experience.



MSB-DCE-06
Non-UV Resistant White Finish



MSB-DCE-06-W
UV Resistant Black Finish

Features:

- Network LLLC (LLLC) enabled with wireless bluetooth technology.
- Easy to install in the field with pre-installed 3.5 mm PIN receptacle for SLG Lighting controls ready fixtures or with an SLG Lighting PIN adapter.
- User friendly commissioning with SLG Sync App (Available in IOS and Android).
- Local Bluetooth Mesh Network - no gateway needed.
- Occupancy and Daylight Harvesting.
- Multi-level dimming: Manual ON/OFF Automatic ON/OFF, and Automatic Partial ON/OFF control capability with the SLG Sync App.
- Create scenes for more customized dimming scenarios via SLG Sync App.
- Time clock scheduling for individual lights, groups, or scenes via SLG Sync App.
- High-Trim/Tuning sets the maximum light level based on customer requirements in each space
- Check www.slgus.com/slg-sync for SLG Lighting fixture compatibility.
- 5 Year Warranty

Motion Sensor Accessory:



SR01
Low Voltage Socket

Ordering Information:

Sensor/Controller

Product Number	Description
MSB-DCE-06	Bluetooth Wireless Sensor & Controller - 3.5mm jack - Indoor/Outdoor - Non-UV resistant white finish
MSB-DCE-06-W	Bluetooth Wireless Sensor & Controller - 3.5mm jack - Indoor/Outdoor -UV resistant black finish

Accessory

Product Number	Description
SR01	3.5mm audio receptacle

App Download:



Pending

Pending

Commissioning:

SLG Sync mobile App is the easiest way to pair devices, create groups, set scenes, set schedules, dimming, color tuning, and adjust high trim based on needs.

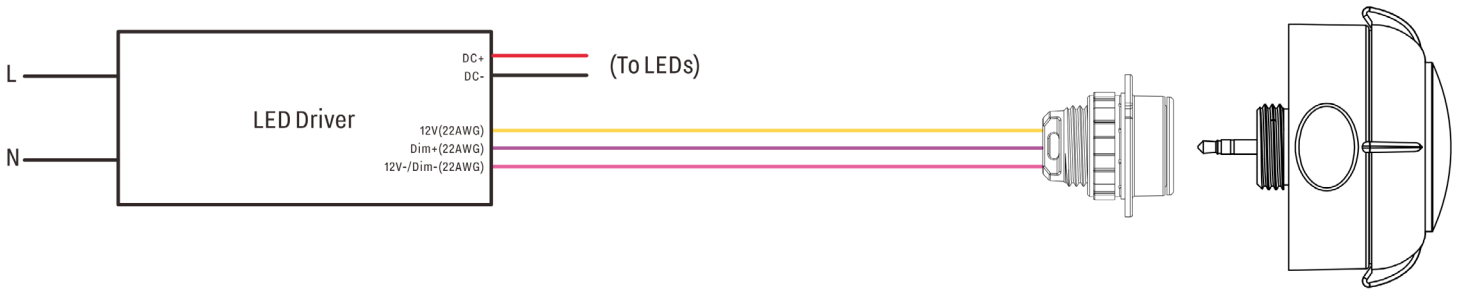
Visit www.slgus.com/slgsync for How-to-Videos and a comprehensive commissioning guide.



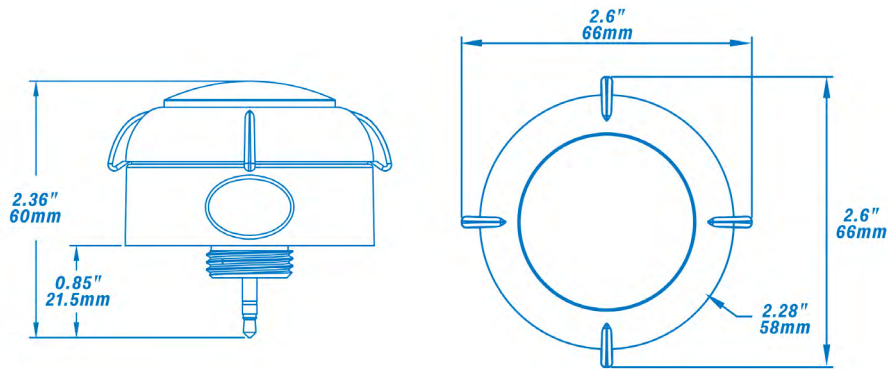
Specifications:

Input Voltage DC 12V	Output Voltage DC 10V	Bluetooth Transmit 200 ft. Max	Detection Range 40 - 80 ft
IP Rating IP66	Output Current 10mA Max	Radio Frequency 2.4 GHz +- 75 MHz	Operating Temperature -30°C to 55°C (-22°F to 131°F)
Input Current 50mA Max	Output Power 0.1W	Mounting Height 20 - 40 ft	Warranty 5 Year warranty
Input Power 0.6 W	Sinking Current 10mA Max	Dimming Class 2, 0-10V DC 10mA Max	

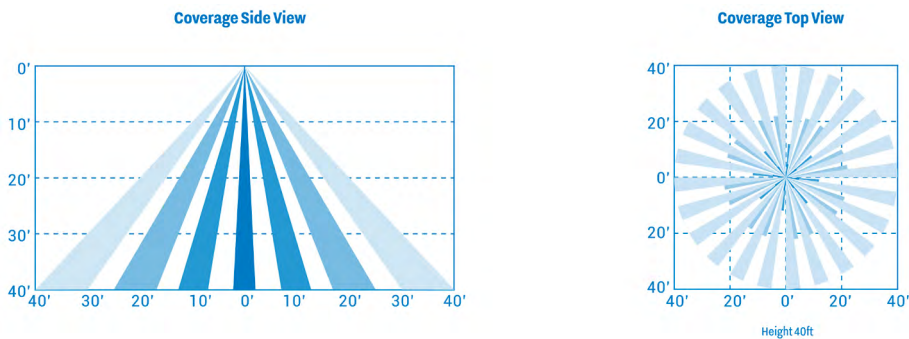
Wiring



Dimensions



Coverage



Due to continuous product improvements, specification and/or equipment updates may change without notice.