

Bluetooth Node DC Fixture Controller - Waterproof

Description:

SLG Sync Bluetooth wireless node with an integrated 3.5 mm jack designed for simple installation. Compatible with fixtures featuring existing 12V DC supply and 0-10V dim to off driver. A waterproof node with an IP66 rating for indoor/outdoor use. Download our SLG Sync app on IOS/android for easy commissioning, convient controls, and a total lighting network experience.



Features:

- Luminaire Level Lighting Control (LLLC) enabled with wireless bluetooth technology.
- Easy to install in the field with pre-installed 3.5 mm PIN receptacle for SLG Lighting controls ready fixtures or with an SLG Sync PIN adapter.
- User friendly commissioning with SLG Sync App (Available in IOS and Android).
- Local Bluetooth Network - no gateway needed.
- Individual Addressability and/or Grouping
- Multi-level dimming: Manual ON/OFF Automatic ON/OFF, and Automatic Partial ON/OFF control capability
- Ability to create scenes for more customized dimming scenarios
- Time clock scheduling for individual lights, groups, or scenes
- High-Trim/Tuning sets the maximum light level based on customer requirements in each space
- Check www.slgus.com/slg-sync for SLG Lighting fixture compatibility.
- 5 Year Warranty



FCB-DCE-02
Non-UV Resistant White Finish



FCB-DCE-02-W
UV Resistant Black Finish

Motion Sensor Accessory:



SR01
Low Voltage Socket

Ordering Information:

Sensor/Controller

Product Number	Description
FCB-DCE-02	Bluetooth Wireless Node - 3.5mm jack - Indoor/Outdoor - Non-UV resistant white finish
FCB-DCE-02-W	Bluetooth Wireless Node - 3.5mm jack - Indoor/Outdoor - UV resistant black finish

Accessory

Product Number	Description
SR01	3.5mm audio receptacle

App Download:



Pending

Pending

Commissioning:

SLG Sync mobile App is the easiest way to pair devices, create groups, set scenes, set schedules, dimming, color tuning, and adjust high trim based on needs.

Visit www.slgus.com/slgsync for How-to-Videos and a comprehensive commissioning guide.



Specifications

Input Voltage
DC 12V

Output Voltage
DC 10V

Bluetooth Transmit
100 ft. Max

Operating Temperature
-30°C to 65°C (-22°F to 149°F)

IP Rating
IP66

Output Current
10mA Max

Radio Frequency
2.4 GHz +- 75 MHz

Warranty
5 Year warranty

Input Current
41mA Max

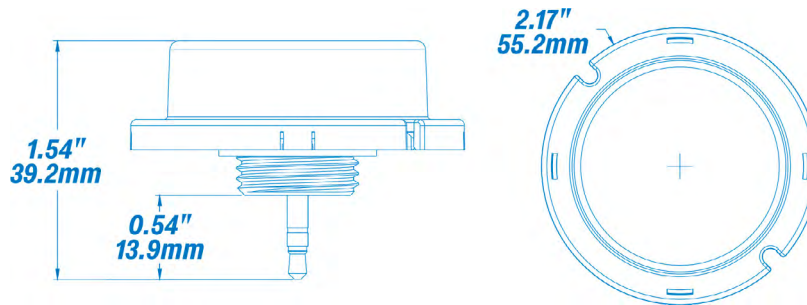
Output Power
0.1W

Dimming
Class 2, 0-10V DC 10mA Max

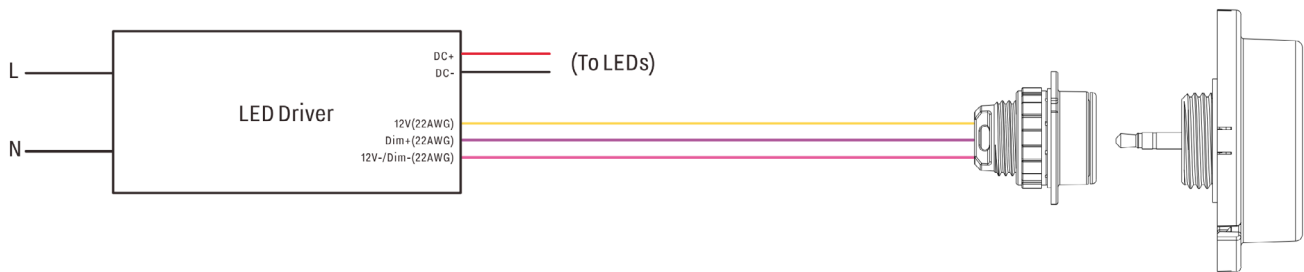
Input Power
0.5 W

Sinking Current
10mA Max

Dimensions



Wiring



Due to continuous product improvements, specification and/or equipment updates may change without notice.