

PROJECT:	_____
CATALOG #:	_____
FIXTURE TYPE:	_____
NOTES:	_____

STICK PL Retrofit LED Lamp - Type B



PERFORMANCE INFORMATION

SERIES NUMBER	WATT	LUMENS	CCT
5PL01E26LED30S	5W	500	3000K
7PL01E26LED30S	7W	700	3000K

The *Stick PL Retrofit LED Lamp - Type B* comes with E26, GU24, G23, G24Q, or G24D base option is ideal for replacing 13W and 18W CFL bulbs. This lamp is 6" Can suitable and operates on 120-277V for a simple retrofit solution that can be applied in a variety of commercial and residential applications.

APPLICATIONS

Wall Sconces, Recessed Cans, Ceiling Fixtures, Step Lighting, etc.

REPLACEMENT

5W: 13W CFL Replacement

7W: 18W CFL Replacement

ORDERING GUIDE				EXAMPLE: 5 PL01 E26 LED30S
Power	Version	Base	CCT**	Finish
5=5W	PL01	E26 GU24 G23* GX23* G24Q G24D*	LED30S=3000K	BLANK=White
7=7W				

*G23, GX23, G24D can be compatible with magnetic ballast or line voltage 120-277VAC

**Additional CCT available. Please contact sales.

Due to continuous product improvements, specification and/or equipment updates may change without notice.

SPECIFICATIONS

HOUSING

Die cast aluminum heat sink

AMBIENT TEMPERATURE

Suitable for use in -4°F to 105°F

EFFICACY

Up to 100 lumens per watt (see individual wattage data).

CCT AND CRI

3000K CCT available; 80 CRI

OPTICS

Beam angle 260°

WARRANTY

5-year limited warranty. Comprehensive warranty terms can be located on www.slgus.com.

ELECTRICAL

120-277VAC, 50/60 Hz

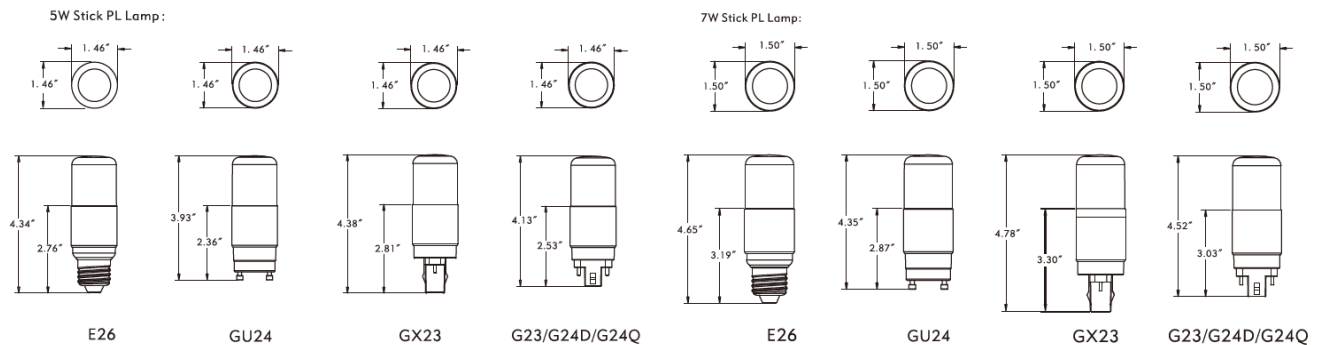
POWER FACTOR

High power factor above 90%.

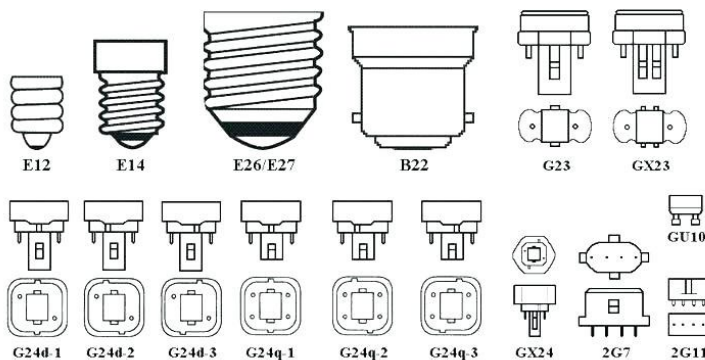
CERTIFICATIONS

UL listed for wet locations. FCC Listed. ROHS. Listed.

DIMENSIONS



BASE OPTIONS

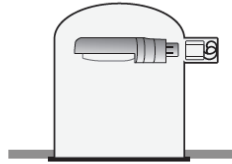


Due to continuous product improvements, specification and/or equipment updates may change without notice.

ENCLOSED FIXTURE



NON-ENCLOSED FIXTURE



PERFORMANCE DATA

	SPECIFICATION	5W DATA
PERFORMANCE	CCT	3000K
	Lumens Output	500 Lm
	Efficacy	100 Lm/W
ELECTRICAL	Input Power	120-277 VAC 50/60 Hz
APPLICATION	Environment	Dry and Damp

	SPECIFICATION	7W DATA
PERFORMANCE	CCT	3000K
	Lumens Output	700 Lm
	Efficacy	100 Lm/W
ELECTRICAL	Input Power	120-277 VAC 50/60 Hz
APPLICATION	Environment	Dry and Damp

Due to continuous product improvements, specification and/or equipment updates may change without notice.