

PROJECT:	_____
CATALOG #:	_____
FIXTURE TYPE:	_____
NOTES:	_____

PL Universal LED PL Lamp - Type B



The *PL Universal LED PL Lamp - Type B* with G24Q base is ideal for replacing CFL bulbs in a variety of commercial applications. This lamp is suitable for 6", 8", and 10" commercial recessed cans and capable of replacing up to 42W CFL equivalent for recessed mount listed luminaires. This energy-saving lamp is only compatible with 120-277V line voltage. Optional horizontal to vertical extension adapter is available for added convenience.

APPLICATIONS

Outdoor and Indoor Commercial Applications including Conference Rooms, Reception Areas, Retail and Hospitality, etc.

REPLACEMENT

26W to 42W CFL



PERFORMANCE INFORMATION

SERIES NUMBER	WATT	LUMENS	CCT
25PL01G24QLED27	25W	2400	2700K
25PL01G24QLED30	25W	2500	3000K
25PL01G24QLED35	25W	2700	3500K
25PL01G24QLED40	25W	2700	4000K
25PL01G24QLED50	25W	2700	5000K

ORDERING GUIDE			EXAMPLE: 25 PL01 G24Q LED27		
Power	Version	Base	CCT	Finish	Options
25 =25W	PL01 =Horizontal	G24Q	LED27 =2700K LED30 =3000K LED35 =3500K LED40 =4000K LED50 =5000K	BLANK =White	BLANK =No Option G24QA01 = 2.8" G24Q/GX24Q Extension Adapter G24QA02 = 6" Horizontal to Vertical Extension Adapter

Due to continuous product improvements, specification and/or equipment updates may change without notice.

SPECIFICATIONS

HOUSING

Die cast aluminum heat sink

AMBIENT TEMPERATURE

Suitable for use in -4 °F to 105 °F

INSTALLATION

Suitable for 6", 8" and 10" commercial recessed cans

EFFICACY

Up to 108 lumens per watt (see individual wattage data).

CCT AND CRI

2700K, 3000K, 3500K, 4000K, and 5000K CCT available;
80 CRI

OPTICS

Beam angle 140°

WARRANTY

5-year limited warranty. Comprehensive warranty terms can be located on www.slgus.com.

ELECTRICAL

This lamp operates with 120-277V line voltage with 50/60Hz. Ballast bypass not available.

POWER FACTOR

High power factor above 90%.

CERTIFICATIONS

UL listed for dry and damp locations. FCC Listed. ROHS. Listed.

OPTIONS



G24QA01 Extension Adapter



Example



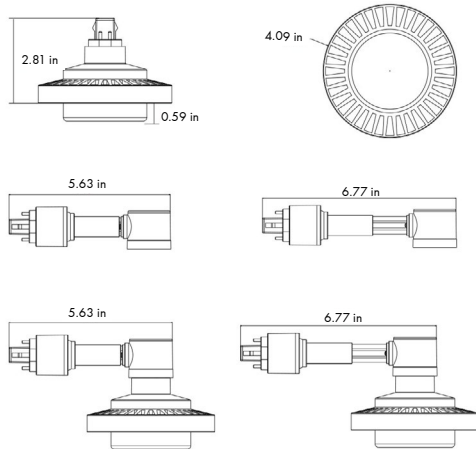
G24QA02 Horizontal to Vertical
Extension Adapter



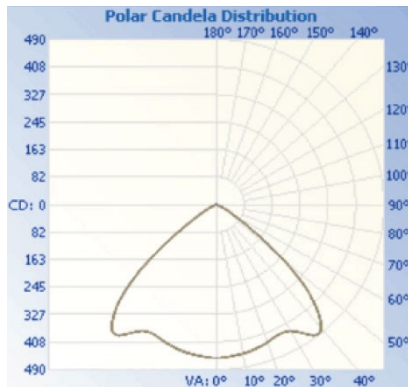
Example

Due to continuous product improvements, specification and/or equipment updates may change without notice.

DIMENSIONS



PHOTOMETRIC



PERFORMANCE DATA

PERFORMANCE	SPECIFICATION	25W DATA				
	CCT	2700K	3000K	3500K	4000K	5000K
	Lumens Output	2400 Lm	2500 Lm	2700 Lm	2700 Lm	2700 Lm
	Efficacy	96 Lm/W	100 Lm/W	108 Lm/W	108 Lm/W	108 Lm/P
ELECTRICAL	Input Power	120-277VAC 50/60Hz				
APPLICATION	Environment	Dry and Damp				

Due to continuous product improvements, specification and/or equipment updates may change without notice.