

PROJECT:	_____
CATALOG #:	_____
FIXTURE TYPE:	_____
NOTES:	_____

# HR Round High Bay Gen 2



## PERFORMANCE INFORMATION

SERIES NUMBER	WATT	LUMENS	CCT
HR 190 WD G2 4K	140W	19,470	4000K
HR 190 WD G2 5K	140W	20,000	5000K
HR 240 WD G2 4K	200W	26,523	4000K
HR 240 WD G2 5K	200W	26,700	5000K

The *HR Series Round High Bay* is a one-for-one replacement for HID high bay luminaires that is designed to withstand harsh environments with its robust cast aluminum housing. This powerful luminaire produces as much as 26,700 lumens and offers 90 or 120 degree beam angle depending on the reflector used. With easy hook mounting or pendent installation, the HR Round High Bay is suitable for gymnasiums, factories, warehouses, etc.

### APPLICATIONS

Commercial, Retail and Institutional Applications, etc.

### REPLACEMENT

250W - 400W MH

ORDERING GUIDE			EXAMPLE: HR 190 WD G1 5K					
Luminaire Type	Lumen Output	Beam Angle	Generation	Voltage	CCT	Reflector	Finish	Options
<b>HR</b> Round High Bay	<b>190</b> 19,000 Lumens	<b>WD=Wide</b>	<b>G2</b>	<b>BLANK=</b> 120-277V	<b>4K</b> 4000K	<b>BLANK=</b> Flat Glass (No Reflector) <b>S16-FC=</b> 16" Acrylic Reflector (Open Bottom) <b>S16-FC+S16-CDL+S16-CB=</b> 16" Acrylic Reflector with Conical Drop Lens (Clamp Band included) <b>S16-FC+S16-DL+S16-CB=</b> 16" Acrylic Reflector with Tapered Drop Lens (Clamp Band included) <b>HR-AR=</b> Aluminum Reflector (Open Bottom)	<b>BLANK=</b> Dark Bronze	<b>BLANK=</b> No Option <b>M1(LOS-502S-E-C)=</b> Motion Sensor On/Off <b>M2(HBP-212-L7-W)=</b> High Bay Sensor, Cont Dimming
	<b>240</b> 26,000 Lumens			<b>HVU</b> 347-480V	<b>5K</b> 5000K			

Due to continuous product improvements, specification and/or equipment updates may change without notice.

## SPECIFICATIONS

### HOUSING

Robust cast aluminum housing to withstand harsh or hostile environments. Housing includes evenly spaced fins to dissipate maximum amount of heat in order to achieve up to 131 °F (55 °C) ambient rating.

### AMBIENT TEMPERATURE

Operating temperature is -40 °C to 55 °C (-40 °F to 131 °F)

### MOUNTING

Hook mounting, pendent installation with conduit, and mounting with J-box available.

### EFFICACY

Up to 142 lumens per watt (see individual wattage data)

### CCT AND CRI

4000 and 5000K CCT available; 72CRI

### OPTICS

Optional reflectors and drop lens provide either 90° or 120° beam angle.

### WARRANTY

10-year limited warranty. Comprehensive warranty terms can be located on [www.slgus.com](http://www.slgus.com).

### ELECTRICAL

50/60Hz available in 120-277V. Standard 0-10V Dimming.

### ENERGY DATA

Power Factor above 90%.

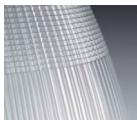
### FINISH

Polyester Powder Dark Bronze Finish

### CERTIFICATIONS

UL Listed for wet locations, IP66 Rating. FCC compliant. RoHs compliant. Design Lights Consortium® (DLC) Premium qualified product. Some product models may not be DLC qualified. Please check the DLC Qualified Products List at [www.slgus.com/DLC](http://www.slgus.com/DLC) are qualified.

## REFLECTOR



S16-FC

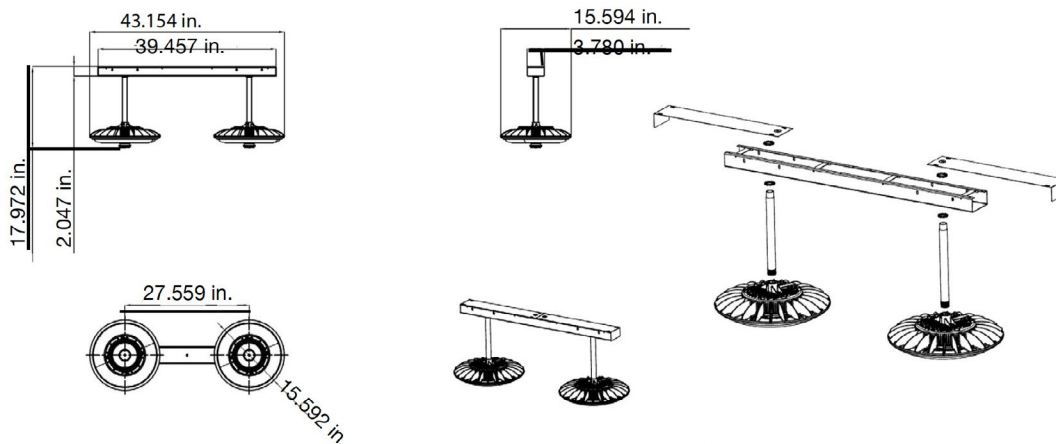


S16-FC+S16-CDL+S16-CB



HR-AR

## TWIN ARM MOUNT DIMENSIONS



Due to continuous product improvements, specification and/or equipment updates may change without notice.

## OPTIONS



**M2 (HBP-212-L7-W)**

High Bay Sensor, Cont Dimming

The **HBP-212-L7-W** is designed for indoor high bay or low bay applications.

**Mode A** Traditional on/off motion sensor.

**Mode B** Continuous dimming. Turn off when the desired ambient light is reached.

**Mode C** Continuous dimming. Dim the lights down to minimum desired light level.

**Mode D** Continuous dimming. Set different light level for daytime and nighttime.

**Mode E** Service and setup mode. Adjust time delays and desired light levels.

Operation Voltage	Mounting Height	Coverage	Shape	Adjustable Time Delay	Operating Temperature	Applications
120/277V	15 - 40 ft	2.5x Height*	Cone	30 sec - 30 min	32°F to 158°F	Indoor Only

\* Covers a 100 ft diameter when the mounting height is 40 ft.



**M1 (LOS-502S-E-C)**

Motion Sensor On/Off

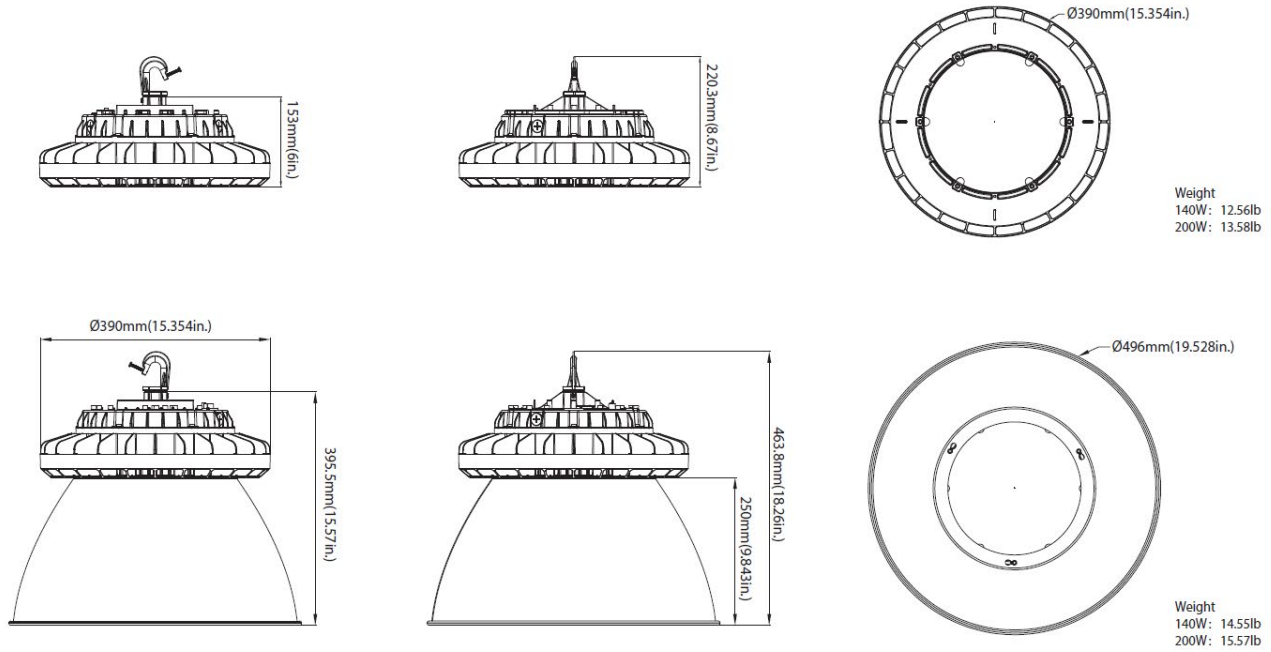
The **LOS-502S-E-C** has an ambient light sensor built-in for traditional on/off control. This motion sensor can be attached externally to the fixture. Suitable for use in wet location and temperature of -40°F/°C.

Lens	Shape	Mounting Height	Operation Temperature	Coverage
High Bay	Cone	15-30 ft	-40°F - 158°F	3x height*

\* Covers 90 ft diameter when the mounting height is 30 ft.

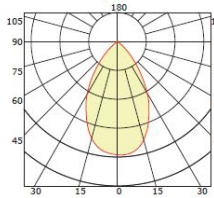
Due to continuous product improvements, specification and/or equipment updates may change without notice.

## DIMENSIONS

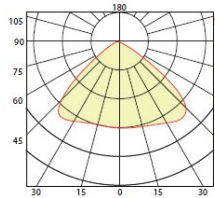


## PHOTOMETRIC

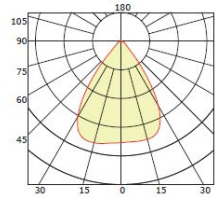
90 Degree Aluminum Reflector  
Luminous Intensity Distribution Curve



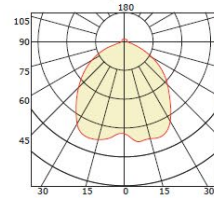
120 Degree lens  
Luminous Intensity Distribution Curve



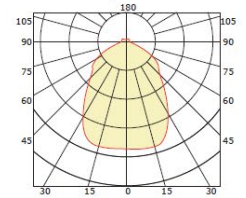
90 Degree lens  
Luminous Intensity Distribution Curve



Conical Bottom Lens  
Luminous Intensity Distribution Curve



Prismatic Drop Lens /  
Smooth flat lens  
Luminous Intensity Distribution Curve



## ELECTRICAL LOAD

Series Number	Wattage	Current (A)					
		120V	208V	240V	277V	347V	480V
HR 190 WD G2 5K	140W	1.17	0.67	0.58	0.51	0.40	0.29
HR 240 WD G2 5K	200W	1.67	0.96	0.83	0.72	0.58	0.42

Due to continuous product improvements, specification and/or equipment updates may change without notice.

PROJECT: \_\_\_\_\_  
 CATALOG #: \_\_\_\_\_  
 FIXTURE TYPE: \_\_\_\_\_  
 NOTES: \_\_\_\_\_

# HR Round High Bay Gen 3



## PERFORMANCE INFORMATION

SERIES NUMBER	WATT	LUMENS	CCT
HR 190 WD G3 4K	135W	19,200	4000K
HR 190 WD G3 5K	135W	19,200	5000K
HR 250 WD G3 4K	175W	25,000	4000K
HR 250 WD G3 5K	175W	25,000	5000K
HR 290 WD G3 4K	200W	29,000	4000K
HR 290 WD G3 5K	200W	29,000	5000K

The *HR Series Round High Bay* is a one-for-one replacement for HID high bay luminaires that is designed to withstand harsh environments with its robust cast aluminum housing. This powerful luminaire produces as much as 29,000 lumens and offers 120 degree beam angle depending on the reflector used. With easy hook mounting or pendant installation, the HR Round High Bay is suitable for gymnasiums, factories, warehouses, etc.

### APPLICATIONS

Commercial, Retail and Institutional Applications, etc.

### REPLACEMENT

250W - 400W MH



HR G3 with Motion Sensor and Emergency Battery Pack

ORDERING GUIDE			EXAMPLE: HR 190 WD G3 5K					
Luminaire Type	Lumen Output	Beam Angle	Generation	Voltage	CCT	Reflector	Finish	Options
<b>HR</b> Round High Bay	<b>190</b> 19,200 Lumens	<b>WD=Wide</b>	<b>G3</b>	<b>BLANK=</b> 120-277V <b>HVU</b> 347-480V	<b>4K</b> 4000K	<b>BLANK=</b> Flat Glass (No Reflector) <b>S16-FC=</b> 16" Acrylic Reflector (Open Bottom) <b>S16-FC+S16-CDL+S16-CB=</b> 16" Acrylic Reflector with Conical Drop Lens (Clamp Band included) <b>S16-FC+S16-DL+S16-CB=</b> 16" Acrylic Reflector with Tapered Drop Lens (Clamp Band included) <b>HR-AR=</b> Aluminum Reflector (Open Bottom)	<b>BLANK=</b> Dark Bronze	<b>BLANK=</b> No Option <b>MS-FSP-212=</b> Fixture Integrated PIR Outdoor Motion/Photo sensor, 120/277V AC, 1-10V Adjustable Dimmer <i>Select L3 or L7 Depending On Mount Height</i> <b>MS-FSP-L3=</b> L3-360° lens, maximum coverage 40' diameter from 20' height. <b>MS-FSP-L7=</b> L7-360° lens, maximum coverage 100' diameter from 40' height <b>EL UNV 1=</b> Emergency Battery Kit
	<b>250</b> 25,000 Lumens				<b>5K</b> 5000K			
	<b>290</b> 29,000 Lumens							

Due to continuous product improvements, specification and/or equipment updates may change without notice.

## SPECIFICATIONS

### HOUSING

Robust cast aluminum housing to withstand harsh or hostile environments. Housing includes evenly spaced fins to dissipate maximum amount of heat in order to achieve up to 131 °F (55 °C) ambient rating.

### AMBIENT TEMPERATURE

Operating temperature is -40 °C to 55 °C (-40 °F to 131 °F)

### MOUNTING

Hook mounting or pendent installation with conduit

### EFFICACY

Up to 142 lumens per watt (see individual wattage data)

### CCT AND CRI

4000 and 5000K CCT available; 70CRI

### OPTICS

Optional reflectors and drop lens provide 120° beam angle.

### WARRANTY

10-year limited warranty. Comprehensive warranty terms can be located on [www.slgus.com](http://www.slgus.com).

### ELECTRICAL

50/60Hz available in 120-277V. Standard 0-10V Dimming.

### ENERGY DATA

Power Factor above 90%.

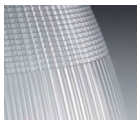
### FINISH

Polyester Powder Dark Bronze Finish

### CERTIFICATIONS

UL Listed for wet locations, IP65 Rating. FCC compliant. RoHs compliant. Design Lights Consortium® (DLC) Premium qualified product. Some product models may not be DLC qualified. Please check the DLC Qualified Products List at [www.slgus.com/DLC](http://www.slgus.com/DLC) are qualified.

## REFLECTOR



S16-FC

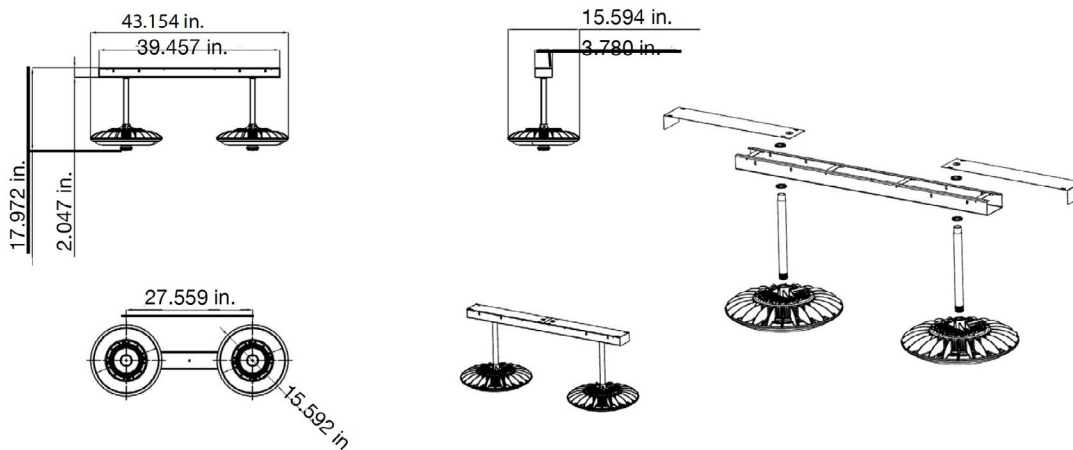


S16-FC+S16-CDL+S16-CB



HR-AR

## TWIN ARM MOUNT DIMENSIONS



Due to continuous product improvements, specification and/or equipment updates may change without notice.

## OPTIONS



**MS-FSP-212**  
Dimmable Motion Sensor



**MS-FSP-L3/L7**  
Lens

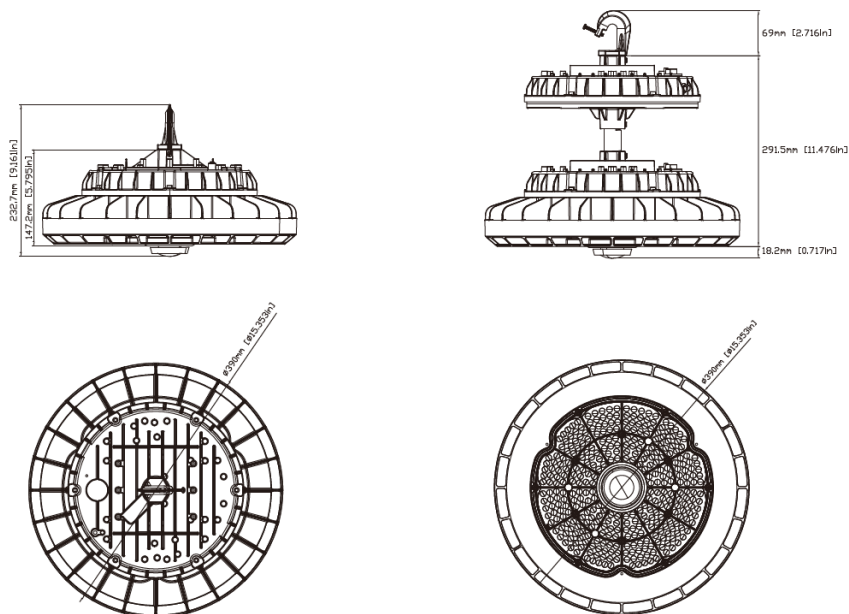
The **MS-FSP-212** provides multi-level control base on motion and daylight level. Requires L3 or L7 lens depending the mounting height.

Operation Voltage	Shape	Adjustable Time Delay	Fade Down Time	Operating Temperature	Mounting Height For MS-FSP-L3	Mounting Height For MS-FSP-L7
120/277V	Cone	30 sec - 30 min	0-10 sec	-40 °F to 158 °F	20 ft*	40 ft**

\* Covers a 40 ft diameter when mounting height is 20 ft. Coverage is equal to 2x the height.

\*\* Covers a 100 ft diameter when mounting height is 40 ft. Coverage is equal to 2.5x the height

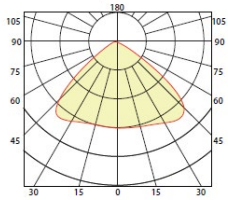
## DIMENSIONS



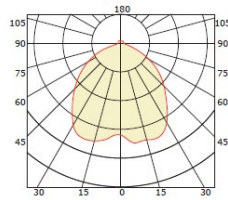
Due to continuous product improvements, specification and/or equipment updates may change without notice.

## PHOTOMETRIC

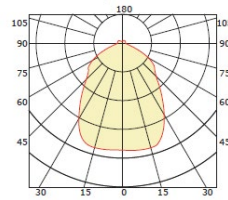
120 Degree lens  
Luminous Intensity Distribution Curve



Conical Bottom Lens  
Luminous Intensity Distribution Curve



Prismatic Drop Lens /  
Smooth flat lens  
Luminous Intensity Distribution Curve



## ELECTRICAL LOAD

Series Number	Wattage	Current (A)					
		120V	208V	240V	277V	347V	480V
HR 190 WD G3 5K	135W	1.13	0.65	0.56	0.49	0.39	0.28
HR 250 WD G3 5K	175W	1.46	0.84	0.73	0.63	0.50	0.36
HR 290 WD G3 5K	200W	1.66	0.96	0.83	0.72	0.58	0.42

Due to continuous product improvements, specification and/or equipment updates may change without notice.