

PROJECT: _____
 CATALOG #: _____
 FIXTURE TYPE: _____
 NOTES: _____

HC Circular High Bay Gen 1



The **HC Series Circular High Bay** is the ideal choice for replacing 200W to 400W metal halides. With sealed die-cast housing and simple mounting options, this luminaire is suitable for commercial, retail, and institutional applications including gymnasiums, factories, and warehouses.

APPLICATIONS

Commercial, Retail, and Institutional Applications, etc.

REPLACEMENT

200W - 400W MH

PERFORMANCE INFORMATION

SERIES NUMBER	WATT	LUMENS	CCT
HC 95 G1 5K F	67W	9,400	5000K
HC 135 G1 5K F	97W	13,700	5000K
HC 190 G1 5K F	140W	19,100	5000K
HC 250 G1 5K F	180W	25,000	5000K

ORDERING GUIDE						EXAMPLE: HC 95 G1 5K F
Luminaire Type	Lumen Output	Generation	Voltage	CCT	Finish	Optic Lens
HC Circular High Bay	95 9,400 Lumens	G1	BLANK = 120-277V	4K 4000K	BLANK = White	F =Frosted Lens
	135 13,700 Lumens			5K 5000K		
	190 19,100 Lumens		HVU = 347-480V			
	250 25,000 Lumens					

OPTIONS		
Individual Control	Surge Protector	Cord Sets
<p>MS-FSP-211=Fixture Integrated PIR Outdoor Motion/Photo sensor, 120/277V AC, 1-10V Adjustable Dimmer Select L3 or L7 Depending On Mount Height</p> <p>MS-FSP-L3=L3-360° lens, maximum coverage 40' diameter from 20' height.</p> <p>MS-FSP-L7=L7-360° lens, maximum coverage 100' diameter from 40' height</p> <p>MS-FSIR-100= Wireless commissioning tool</p> <p>EL UNV-16W= Emergency Battery Kit</p>	<p>SPD-277= 5KA/10KV Surge Protection device, single phase protection with 120-277V input</p> <p>SPD-480= 10KA/20KV Surge Protection device, single phase protection with 277-480V input</p>	<p>Cords Standard 3ft power cord, 18 gauge with 3 conductors</p> <p>CS1 6 ft power cord, Straight Cord, 18 gauge, 3 conductors, Black, Voltage will match fixture</p> <p>CS2 6 ft power cord, Twist-Lock Plug Type, 3 conductors, Black, Optional with L5-15P, L5-20P, L6-15P, L7-15P, L7-20P, L8-20P. Gauge and voltage will match fixture. (Please confirm with SLG Sales before placing the order)</p> <p>CS4 6 ft power cord, 16 Gauge, 3 conductors, SO Black Cord, No Plug, Voltage will match fixture</p> <p>CS5 3.5 ft power cord, 18 Gauge, 5 conductors (Bring dimming leads out of fixture), Black cord, No Plug, Voltage will match fixture</p>

Due to continuous product improvements, specification and/or equipment updates may change without notice.

SPECIFICATIONS

HOUSING

Sealed die cast housing with stainless steel fasteners is suitable for indoor and outdoor applications.

AMBIENT TEMPERATURE

Suitable for use in -40°C to 55°C (-40°F to 131 °F)

MOUNTING

Hook mount and pendent mount with conduit available

EFFICACY

Up to 140 lumens per watt (see individual wattage data)

CCT AND CRI

4000K and 5000K CCT available; 70CRI

OPTICS

Polycarbonate optical lens with heat resistance

WARRANTY

10-year limited warranty. Comprehensive warranty terms can be located on www.slgus.com.

ELECTRICAL

50/60Hz available in 120-277V. Standard 0-10V dimming. Optional 347-480V for 140W and 180W.

ENERGY DATA

Power factor above 90%.

FINISH

Polyester Powder White finish with superior corrosion resistance and maximum durability.

CERTIFICATIONS

UL Listed for wet locations, IP65 Rating. FCC compliant. RoHs compliant. Design Lights Consortium® (DLC) Standard 5.1 qualified product. Some product models may not be DLC qualified. Please visit www.slgus.com to confirm which versions are confirmed.

OPTIONS

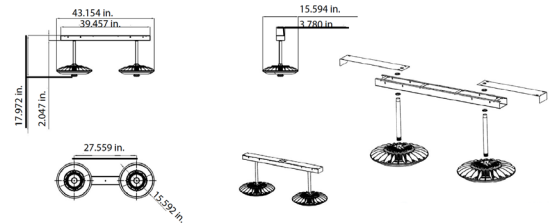


MS-FSP-211
Dimmable Motion Sensor



MS-FSP-L3/L7
Lens

MOUNTING



Twin Arm Mount

The **MS-FSP-211** provides multi-level control base on motion and daylight level. Requires L3 or L7 lens depending the mounting height.

Operation Voltage	Shape	Adjustable Time Delay	Fade Down Time	Operating Temperature	Mounting Height For MS-FSP-L3	Mounting Height For MS-FSP-L7
120/277V	Cone	30 sec - 30 min	0-10 sec	-40°F to 158°F	20 ft*	40 ft**

* Covers a 40 ft diameter when mounting height is 20 ft. Coverage is equal to 2x the height.

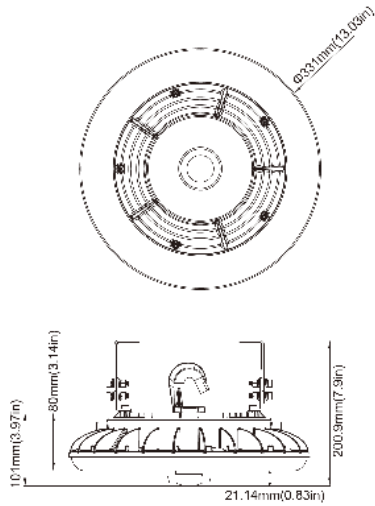
** Covers a 100 ft diameter when mounting height is 40 ft. Coverage is equal to 2.5x the height

Due to continuous product improvements, specification and/or equipment updates may change without notice.

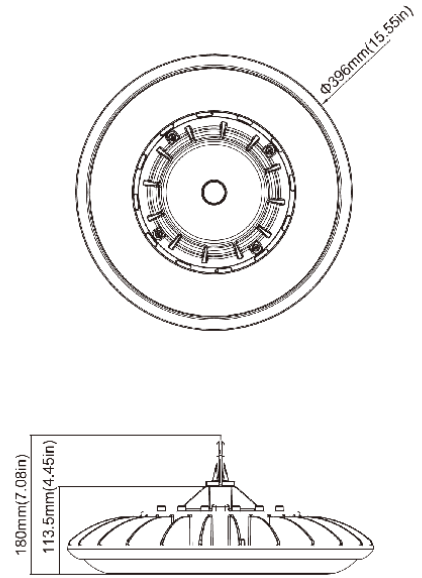
DIMENSIONS

WEIGHT

HC 95 G1: 5.710 LBS
 HC 135 G1: 5.952 LBS
 HC 190 G1: 9.220 LBS
 HC 250 G1: 9.480 LBS

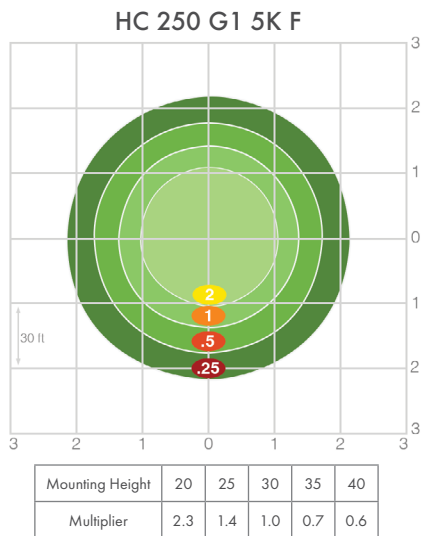


SMALL
 HC 95 G1
 HC 135 G1



LARGE
 HC 190 G1
 HC 250 G1

PHOTOMETRIC



Due to continuous product improvements, specification and/or equipment updates may change without notice.

ELECTRICAL LOAD

Series Number	Wattage	Current (A)					
		120V	208V	240V	277V	347V	480V
HC 95 G1 4K/5K F	67W	0.56	0.32	0.28	0.24	N/A	N/A
HC 135 G1 4K/5K F	97W	0.81	0.47	0.40	0.35	N/A	N/A
HC 190 G1 4K/5K F	140W	1.17	0.67	0.58	0.51	0.40	0.29
HC 250 G1 4K/5K F	180W	1.5	0.87	0.75	0.65	0.52	0.38

PERFORMANCE COMPARISON

Product Series	Wattage	Lumens	Efficacy (LPW)	Replaces	Voltage	Max Mounting Height
HC 95	67W	9,400 Lm	140	200W	120-277V	15-25 ft
HC 135	97W	13,700 Lm	141	250W	120-277V	15-25 ft
HC 190	140W	19,100 Lm	136	320W	120-277V/ 347-480V	20-35 ft
HC 250	180W	25,000 Lm	139	400W	120-277V/ 347-480V	20-35 ft

Due to continuous product improvements, specification and/or equipment updates may change without notice.