

PROJECT:	_____
CATALOG #:	_____
FIXTURE TYPE:	_____
NOTES:	_____

DS SurfaceSlice Downlight Gen 1



DS Round



The *DS SurfaceSlice Downlight Gen 1 Series* is elegantly formed to imitate standard recessed downlights but in a surface mount design. Delivering high lumen output with glare controlling lens, this slim 5/8" surface mount downlight is ideal for a wide variety of applications. Easy to install on junction boxes and fits any ceiling, this downlight solves problems of limited plenum space.

APPLICATIONS

Corridors, Elevators, Entry Ways, Hallways, Porches, Stairways, Utility Closets, and Work Areas. A wet location listing also allows for use in showers and bathrooms.

REPLACEMENT

DS 5R 10W = 75W Equal
 DS 7R 12W = 100W Equal



EMH 4W 7Kit

ORDERING GUIDE							EXAMPLE: DS 5R 9 G1 UNV 930K
Luminaire Type	Size	Lumen Output	Generation	Voltage	CCT	Flange	Options
DS SurfaceSlice Downlight Gen 1	5R =5" Round	9 765 Lumens	G1	UNV = 120-277V	930K 90CRI, 3000K	BLANK = White	BLANK =No Option
	7R =7" Round	10 990 Lumens					EMH 4W 7Kit = 4W Emergency Kit, Suitable for DS 4"/5"/7" Downlight

Due to continuous product improvements, specification and/or equipment updates may change without notice.

SPECIFICATIONS

HOUSING

One piece, round plastic flange

AMBIENT TEMPERATURE

Suitable for use in 0°C to 45°C (32°F to 113°F)

MOUNTING

Surface mounting over junction box only.

EFFICACY

Up to 82 lumens per watt (see individual wattage data)

CCT AND CRI

3000K CCT available; 90CRI.

OPTICS

Beam Angle (50%)

5" Round: 96 °

7" Round: 98 °

WARRANTY

5-year limited warranty. Comprehensive warranty terms can be located on www.slgus.com.

ELECTRICAL

Standard 120-277V with 50/60Hz. 0-10V dimming.

ENERGY DATA

Power Factor above 95%.

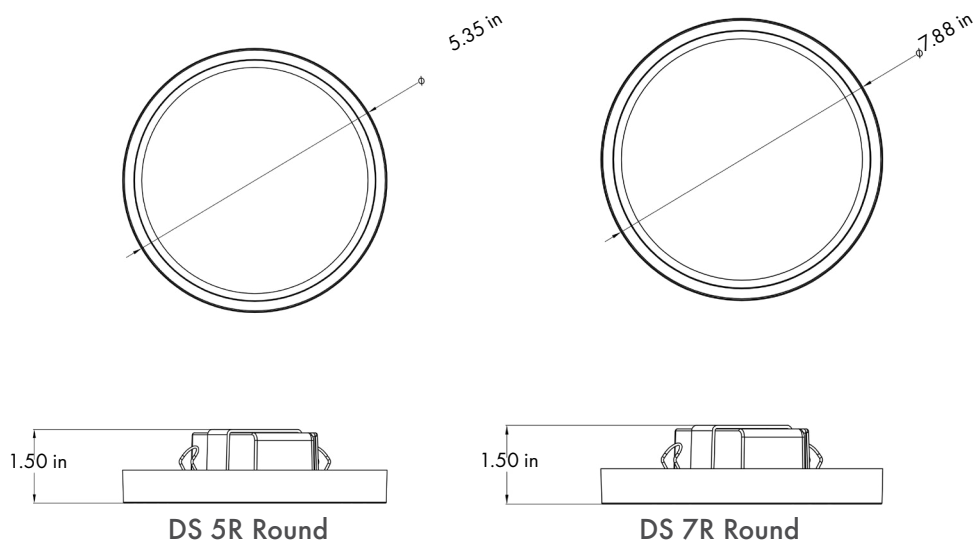
FLANGE FINISH

White finish.

CERTIFICATIONS

Energy Star pending. ETL Listed for damp and wet locations. FCC compliant. Certified to the high efficacy requirements of California T24 JA8 and T20.

DIMENSIONS

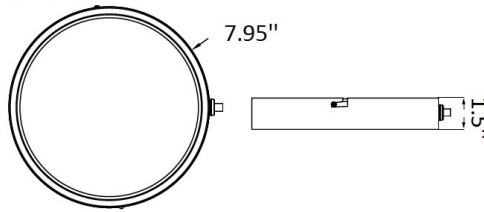


Due to continuous product improvements, specification and/or equipment updates may change without notice.

EMERGENCY BATTERY



EMH 4W 7Kit



INPUT VOLTAGE
120V-277V 50/60Hz

OUTPUT VOLTAGE
25-90VDC

INPUT CURRENT
60mA Max

OUTPUT POWER
4W

INPUT POWER
5W Max

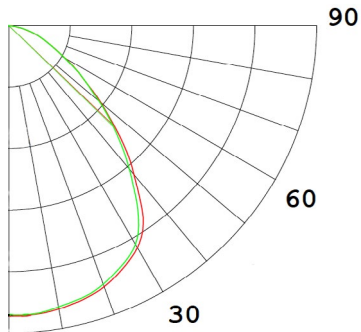
AMBIENT TEMPERATURE
10°C to 50°C

PERFORMANCE COMPARISON

			3000K 90CRI	
Wattage	Size	Voltage	Lumens	Efficacy
10W	5" Round	120V	765	76 Lm/W
12W	7" Round	120V	990	82 Lm/W

Due to continuous product improvements, specification and/or equipment updates may change without notice.

PHOTOMETRIC DATA



10W

Lumens: 765 Lumens
 Power: 10W
 Efficacy: 76 lm/W
 Spacing Criteria: 1.28
 Beam Angle: 96°

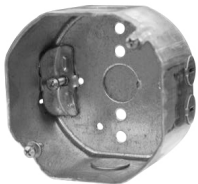
CANDLEPOWER DISTRIBUTION	
Angle (°)	Average (cd)
0	424
5	423
15	415
25	390
35	325
45	207

INITIAL FOOTCANDLE		
Height (ft)	Fc	Diameter (ft)
4	31	7.10
6	13	11.7
8	7	15.4
10	5	19.3
12	3.2	23

ZONAL LUMEN SUMMARY		
Zone	Lumens	%Fixt
0-30	325	37
0-40	522	60
0-60	772	89
0-90	857	99
90-180	4	0

COMPATIBLE JUNCTION BOXES

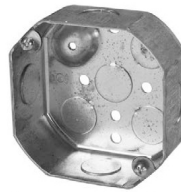
Compatible with 5" Round and 7" Round



TP316
 for non-metallic cable
 4" x 4" x 2-1/8"
 (102mm x 102mm x 54mm)



4" octagon light fixture/fan steel box
 4" x 4" x 2-1/8"
 (102mm x 102mm x 54mm)



4" octagon steel box
 4" x 4" x 1-1/2"
 (102mm x 102mm x 38mm)



4" Round Plastic
 (2-1/4" Depth)

Compatible with 7" Round



4" square deep steel box
 4" x 4" x 2-1/8"
 (102mm x 102mm x 54mm)



4" square standard steel box
 4" x 4" x 1-1/2"
 (102mm x 102mm x 38mm)



4" square (plastic)

Due to continuous product improvements, specification and/or equipment updates may change without notice.