

PROJECT:	_____
CATALOG #:	_____
FIXTURE TYPE:	_____
NOTES:	_____

DS SurfaceSlice Downlight Gen 1



DS Square



DS Round



90CRI Only

The *DS SurfaceSlice Downlight Gen 1 Series* is elegantly formed to imitate standard recessed downlights but in a surface mount design. Delivering high lumen output with glare controlling lens, this slim 5/8" surface mount downlight is ideal for a wide variety of applications. Easy to install on junction boxes and fits any ceiling, this downlight solves problems of limited plenum space. The SurfaceSlice is available in round or square apertures.

APPLICATIONS

Corridors, Elevators, Entry Ways, Hallways, Porches, Stairways, Utility Closets, and Work Areas. A wet location listing also allows for use in showers and bathrooms.

REPLACEMENT

- DS 5R 9W = 65W Equal
- DS 5R 10W = 75W Equal
- DS 7R 12W = 100W Equal



EMH 4W 7Kit

ORDERING GUIDE							EXAMPLE: DS 5R 9 G1 930K
Luminaire Type	Size	Lumen Output	Generation	Voltage	CCT	Flange	Options
DS SurfaceSlice Downlight Gen 1	5R=5" Round	6 540 Lumens - 9 Watt 9 750 Lumens - 10 Watt	G1	BLANK= 120V	930K 90CRI, 3000K	BLANK= White	BLANK=No Option EMH 4W 7Kit= 4W Emergency Kit, Suitable for DS 4"/5"/7" Downlight
	7R=7" Round	10 1000 Lumens - 12 Watt			930K 90CRI, 3000K 30K 3000K		
	4S=4" Square	6 635 Lumens - 9 Watt			30K 3000K		

Due to continuous product improvements, specification and/or equipment updates may change without notice.

SPECIFICATIONS

HOUSING

One piece plastic flange in Square or Round shape.

AMBIENT TEMPERATURE

Suitable for use in 0°C to 45°C (32°F to 113°F)

MOUNTING

Surface mounting over junction box only.

EFFICACY

Up to 85 lumens per watt (see individual wattage data)

CCT AND CRI

3000K CCT available; 80CRI. Optional 90CRI.

OPTICS

Beam Angle (50%)

5" Round: 96°

7" Round: 98°

4" Square: 90°

WARRANTY

5-year limited warranty. Comprehensive warranty terms can be located on www.slgus.com.

ELECTRICAL

Standard 120V with 50/60Hz. TRIAC dimming.

ENERGY DATA

Power Factor above 95%.

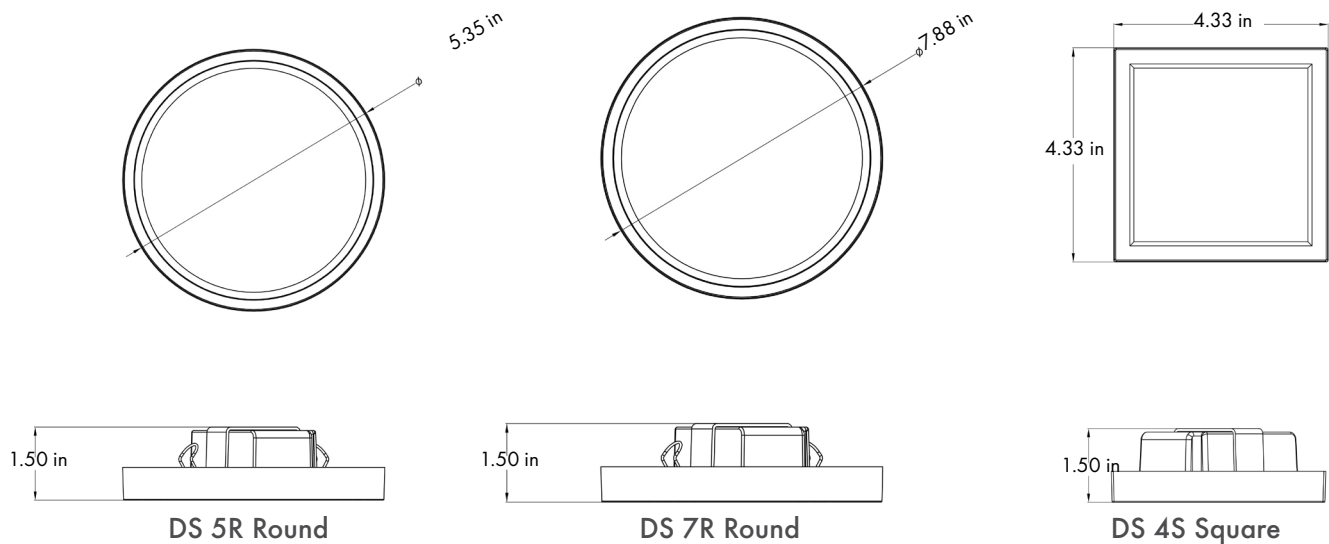
FLANGE FINISH

White finish.

CERTIFICATIONS

Energy Star pending. ETL Listed for damp and wet locations. FCC compliant. Certified to the high efficacy requirements of California T24 JA8 and T20.

DIMENSIONS

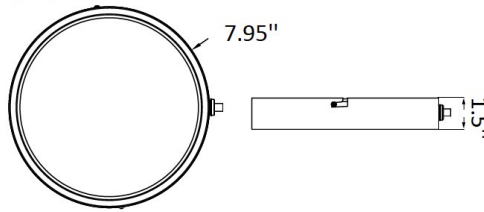


Due to continuous product improvements, specification and/or equipment updates may change without notice.

EMERGENCY BATTERY



EMH 4W 7Kit



INPUT VOLTAGE
120V-277V 50/60Hz

OUTPUT VOLTAGE
25-90VDC

INPUT CURRENT
60mA Max

OUTPUT POWER
4W

INPUT POWER
5W Max

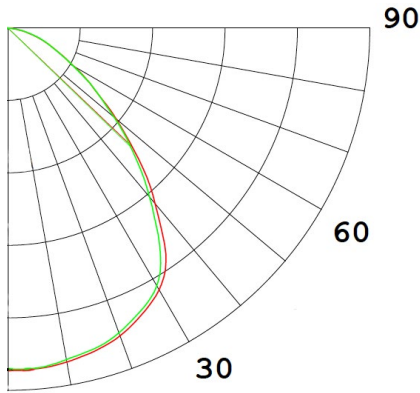
AMBIENT TEMPERATURE
10°C to 50°C

PERFORMANCE COMPARISON

Wattage	Size	Voltage	3000K 80CRI		3000K 90CRI	
			Lumens	Efficacy	Lumens	Efficacy
9W	5" Round	120V	—	—	585	65 Lm/W
10W	5" Round	120V	—	—	765	76 Lm/W
12W	7" Round	120V	1000	83 Lm/W	990 (14W)	82 Lm/W
9W	4" Square	120V	635	70 Lm/W	—	—

Due to continuous product improvements, specification and/or equipment updates may change without notice.

PHOTOMETRIC DATA



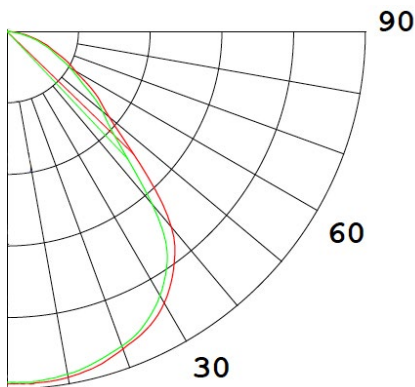
10W

Lumens: 850 Lumens
 Power: 10W
 Efficacy: 72 lm/W
 Spacing Criteria: 1.28
 Beam Angle: 96°

CANDLEPOWER DISTRIBUTION	
Angle (°)	Average (cd)
0	424
5	423
15	415
25	390
35	325
45	207

INITIAL FOOTCANDLE		
Height (ft)	Fc	Diameter (ft)
4	31	7.10
6	13	11.7
8	7	15.4
10	5	19.3
12	3.2	23

ZONAL LUMEN SUMMARY		
Zone	Lumens	%Fixt
0-30	325	37
0-40	522	60
0-60	772	89
0-90	857	99
90-180	4	0



9W

Lumens: 635 Lumens
 Power: 9W
 Efficacy: 70 lm/W
 Spacing Criteria: 1.26
 Beam Angle: 90°

CANDLEPOWER DISTRIBUTION	
Angle (°)	Average (cd)
0	237
5	216
15	212
25	200
35	169
45	112

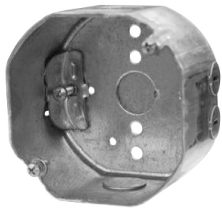
INITIAL FOOTCANDLE		
Height (ft)	Fc	Diameter (ft)
4	15	8.2
6	6	12.2
8	4	16.4
10	2	20.4
12	1	24.4

ZONAL LUMEN SUMMARY		
Zone	Lumens	%Fixt
0-30	172	33
0-40	277	53
0-60	464	89
0-90	515	99
90-180	3	0

Due to continuous product improvements, specification and/or equipment updates may change without notice.

COMPATIBLE JUNCTION BOXES

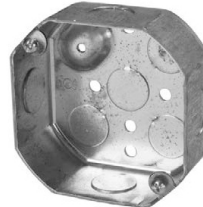
Compatible with 4" Square, 5" Round, and 7" Round



TP316
for non-metallic cable
4" x 4" x 2-1/8"
(102mm x 102mm x 54mm)



4" octagon light fixture/fan steel box
4" x 4" x 2-1/8"
(102mm x 102mm x 54mm)



4" octagon steel box
4" x 4" x 1-1/2"
(102mm x 102mm x 38mm)



4" Round Plastic
(2-1/4" Depth)

Compatible with 7" Round



4" square deep steel box
4" x 4" x 2-1/8"
(102mm x 102mm x 54mm)



4" square standard steel box
4" x 4" x 1-1/2"
(102mm x 102mm x 38mm)



4" square (plastic)

Due to continuous product improvements, specification and/or equipment updates may change without notice.