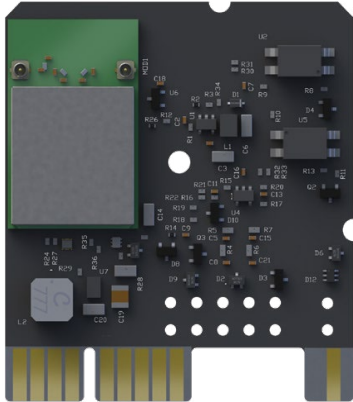


PROJECT:	_____
CATALOG #:	_____
FIXTURE TYPE:	_____
NOTES:	_____

# DIM10-087-06

## DALI-2/DIM to OFF Wireless LIGHTING CONTROLLER



DIM10-087-06  
Powered by the LED Driver



The *DIM10-087-06* embedded wireless controller opens up an exciting integration path for LED fixtures. Its smaller size and lower cost point makes this DCpowered wireless controller versatile enough to be embedded in nearly any medium to high wattage LED fixture.

Pairing the *DIM10-087-06* with a SimplySNAP Site Controller makes it easy for your customer to comply with ASHRAE, Title 24, and other energy requirements today and in the future.

### FEATURES

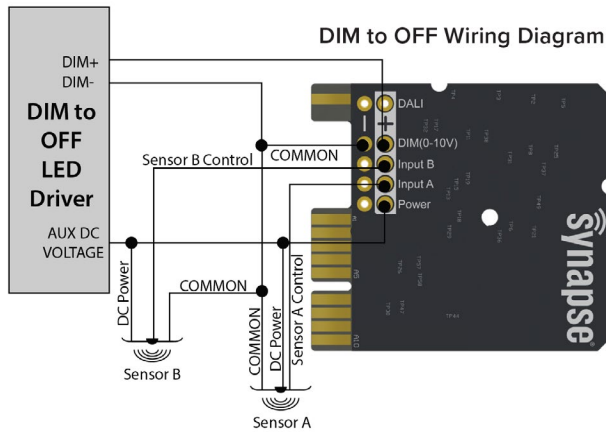
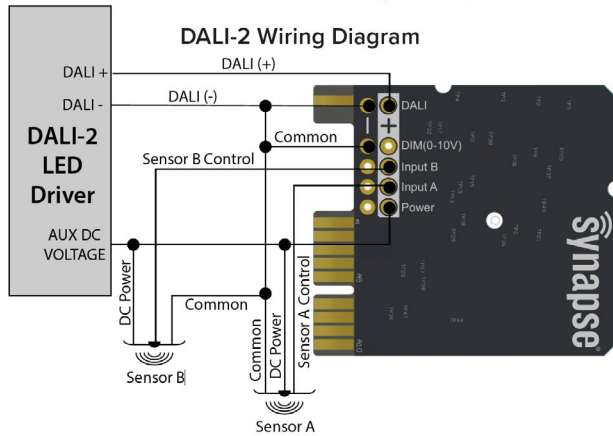
- Simplified DC Design – mates with LED Drivers
- Small footprint allows for easier integration
- Less Labor, Less Wires, Quicker Time-to-Market
- More Reliable – No Mechanical Relay
- DALI-2 Compatible Bus – Power Monitoring and Dimming via Bus
- DIM to OFF Compatible with 0-10V Dimming (No Power Monitoring)
- Powered via Aux LED Driver Power
- Self-healing 2.4GHz SNAP Mesh Networking
- Seamless SimplySNAP Integration
- Secure, over-the-air software upgrades
- 2 Sensor Inputs: DC motion Sensors and 0-10V Photo Cells
- DLC Certification for both Indoor and Outdoor
- Secure AES128 Encryption

### FUTURE DALI-2 ENHANCEMENTS

- Fixture Run Time in Hours
- Fixture Model Data
- LED Driver Model Data
- Surge Detection
- Over Temperature
- Over Current
- DALI-2 Sensors
- White Color Tuning

Due to continuous product improvements, specification and/or equipment updates may change without notice.

## DIM10-087-06 Wiring Diagram Examples



## SPECIFICATIONS

<b>Dimensions</b>	2.25" L x 2.0" W x .3" H (57 L x 50.8 W x 7.6H mm)	
<b>Input Power</b>	5 to 24V DC, 700 mW max	
<b>Temperature</b>	-40°C to +85°C	
<b>Dimming</b>	0-10V, 10 mA (Max)	
<b>DALI-2</b>	Limited to 6 Drivers	
<b>Wire Size</b>	15-20 AWG (.063")	
<b>Sensor Input Specifications</b>	Analog: 0-10V Digital: 0-24V	2 Available software select
<b>Radio</b>	SNAP 2.4GHz ; 802.15.4 +20 dBm Transmit Power -103 dBm Receive Sensitivity	
<b>Certifications</b>	UL Recognized Component; CE; FCC/IC; DLC- Indoor/Outdoor; DiiA - DALI-2 Certification (Pending)	
<b>Warranty*</b>	5 Years	

\* See [www.synapsewireless.com/warranty](http://www.synapsewireless.com/warranty) for warranty terms

Product #	Description
DIM10-087-06	Bare Board, External Antenna (RF cable and Antenna not included)
DIM10-087-06-F	Bare Board, Internal antenna

### u.FL RF cable and Antenna Options - optional for DIM10-087-06 model

Product #	Description
KIT-ANTUFL18-01	OUTDOOR ANT, RIGHT ANGLE, U.FL, 18" CBL, 14MM BULKHEAD, O-RING
KIT-ANTUFL18-02	OUTDOOR ANT, STRAIGHT, U.FL, 18" CBL, 14MM BULKHEAD, O-RING
KIT-ANTUFL18-03	OUTDOOR ANT, RIGHT ANGLE STUB, U.FL, 18" CBL, 14MM BULKHEAD, O-RING
KIT-ANTUFL18-04	OUTDOOR ANT, STRAIGHT STUB, U.FL, 18" CBL, 14MM BULKHEAD, O-RING

### SimplySNAP Site Controllers - required for all SimplySNAP deployments

Product #	Description
SS450-002	SimplySNAP, WiFi, Verizon LTE, Industrial Metal Enclosure

Due to continuous product improvements, specification and/or equipment updates may change without notice.

## SLG Control Enabled Luminaires

O U T D O O R	Area Light	 AL G1 & G2	 AL G3	 ALC G1	 AB G1	
	Roadway Light	 AR G1				
	Wall Pack	 WS/WM/WL G1	 WMC G1	 WFM/WFL G1	 WFM/WFL G3	
	Flood Light	 FDC G1	 FFM/FFL G2	 FFC G1		
	Parking Garage	 PG G1	 PL G1			
	Canopy	 CR G1	 CS G1	 CSC G1		
I N D O O R	High Bay	 HR G2 & G3	 HX G1	 HE G1	 HL G1	 HC G1

Due to continuous product improvements, specification and/or equipment updates may change without notice.