

PROJECT: \_\_\_\_\_  
 CATALOG #: \_\_\_\_\_  
 FIXTURE TYPE: \_\_\_\_\_  
 NOTES: \_\_\_\_\_

# CSC Square Canopy Contractor Series Gen 1



The *CSC Square Canopy Contractor Series* provides high lumen output and efficiency in full gasket for weatherability. This contractor series luminaire is reliable with surface mounted diodes and high temperature polycarbonate lens to reduce yellowing and directs light to desired locations.

### APPLICATIONS

Parking Garages, Canopy, Stairwells, Low Bay Installations, etc

### REPLACEMENT

100W MH

### OPTIONS



EL UNV-8W

BRI819P-B-P-D-S



CSC with Emergency Battery Pack

## PERFORMANCE INFORMATION

SERIES NUMBER	WATT	LUMENS	CCT
CSC 40 G1 5K	27W	3,785	5000K
CSC 55 G1 5K	40W	5,450	5000K
CSC 80 G1 5K	60W	8,000	5000K

## ORDERING GUIDE

EXAMPLE: CSC 40 G1 5K

Luminaire Type	Lumen Output	Generation	Voltage	CCT	Finish	Options
<b>CSC</b> Square Canopy Contractor Series	<b>40</b> 3,785 Lumens <b>55</b> 5,450 Lumens <b>80</b> 8,000 Lumens	<b>G1</b>	<b>BLANK=</b> 120-277V	<b>4K</b> 4000K <b>5K</b> 5000K	<b>BLANK=</b> Dark Bronze <b>W=</b> White	<b>BLANK=</b> No Option <b>SRP-280=</b> Trans remote programmer used for LRD-509 series sensor <b>BRI819P-B-P-D-S=</b> PIR Motion/Photo Sensor, 120/277V AC, 1-10V Dimming (Choose one) <b>L1=</b> 360° Lens (Max. 25ft mounting height) <b>L2=</b> 360° Lens (Max. 40ft mounting height) <b>EL UNV-8W=</b> Emergency Backup Kit

Due to continuous product improvements, specification and/or equipment updates may change without notice.

## SPECIFICATIONS

### HOUSING

Die-cast aluminum housing.

### AMBIENT TEMPERATURE

Suitable for use in -40°C to +40°C (-40°F to 104°F)

### MOUNTING

Surface mounting with J-Box or Pendent mount with conduit.

### EFFICACY

Up to 139 lumens per watt (see individual wattage data)

### CCT AND CRI

4000 and 5000K CCT available; 72CRI

### OPTICS

Polycarbonate optical lens with heat resistance

### WARRANTY

5-year limited warranty. Comprehensive warranty terms can be located on [www.slgus.com](http://www.slgus.com).

### ELECTRICAL

Standard 120/277V with 50/60Hz.

### ENERGY DATA

Power Factor above 90%.

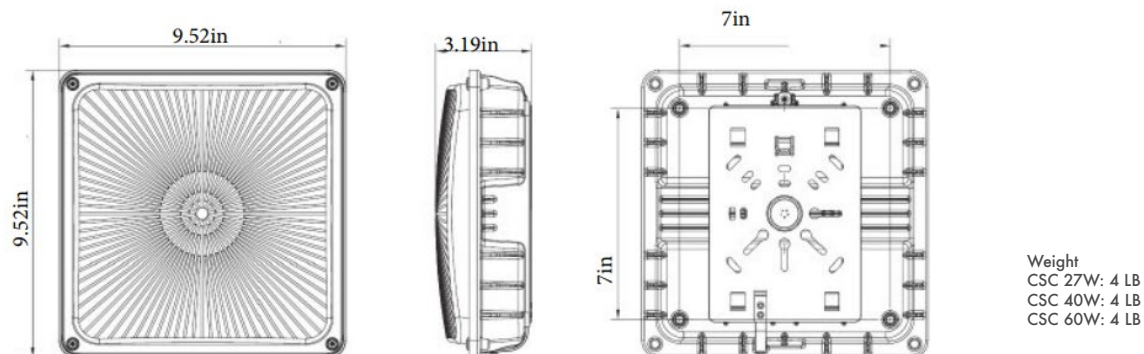
### FINISH

Polyester Powder finish in Dark Bronze and White for superior corrosion resistance and maximum durability.

### CERTIFICATIONS

UL Listed for wet locations, IP65 Rating. FCC compliant. RoHs compliant. Design Lights Consortium® (DLC) 5.0 qualified product. Some product models may not be DLC qualified. Please visit [www.slgus.com](http://www.slgus.com) to confirm which versions are qualified.

## DIMENSIONS



Due to continuous product improvements, specification and/or equipment updates may change without notice.

## OPTIONS



**BRI819P-B-P-D-S**  
Motion Sensor, 1-10V Dimming

The **BRI819-P-B-D** provides multi-level occupancy control with 1-10V adjustable dimming. This motion sensor can be attached externally to the fixture.

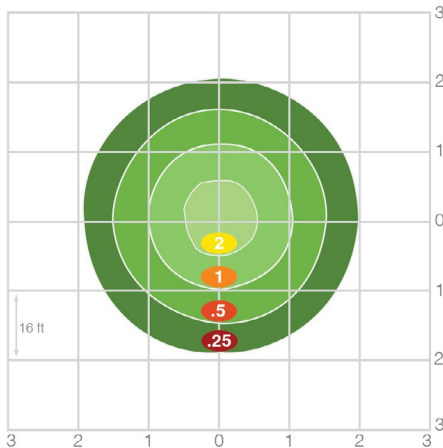
Requires L1 or L2 lens depending on the mounting height.

Operation Voltage	Shape	Adjustable Time Delay	Operation Temperature	Mounting Height for L1	Mounting Height for L2
120/277V	Cone	10 sec - 60 min (adjustable)	-40°F to 167°F (-40°C to 75°C)	Max 25ft*	Max 40ft**

\*Covers a 30 ft diameter when the mounting height is 25 ft.

\*\*Covers a 60 ft diameter when the mounting height is 40 ft.

## PHOTOMETRIC



**CSC 40 G1 4K**

Mounting Height	8	9	10	11	12
Multiplier	1.6	1.2	1.0	0.8	0.7

## ELECTRICAL LOAD

Series Number	Wattage	Current (A)			
		120V	208V	240V	277V
CSC 40 G1 5K	27W	0.22	0.13	0.11	0.09
CSC 55 G1 5K	40W	0.33	0.19	0.16	0.14
CSC 80 G1 5K	60W	0.50	0.28	0.25	0.21

Due to continuous product improvements, specification and/or equipment updates may change without notice.