

PROJECT:	_____
CATALOG #:	_____
FIXTURE TYPE:	_____
NOTES:	_____

# CR Round Canopy Gen 1



## PERFORMANCE INFORMATION

SERIES NUMBER	WATT	LUMENS	CCT
CR 61 G1 4K	60W	6,066	4000K
CR 61 G1 5K	60W	6,150	5000K

The CR Canopy Series provides high lumen output and efficiency in full gasket for weatherability. This luminaire is reliable with high temperature acrylic lens to reduce yellowing and directs light to desired locations.

### APPLICATIONS

Parking Garages, Canopy, Stairwells, Low Bay Installations, etc

### REPLACEMENT

75W MH - 175W MH

### OPTIONS



LOS-502S-EC



HBP-212-L7-W



EL UNV 1



CR with Emergency Battery Pack

ORDERING GUIDE		EXAMPLE: CR 46 G1 5K				
Luminaire Type	Lumen Output	Generation	Voltage	CCT	Finish	Options
<b>CR</b> Round Canopy Series	<b>61</b> 6,150 Lumens	<b>G1</b>	<b>BLANK=</b> 120-277V	<b>4K</b> 4000K <b>5K</b> 5000K	<b>W=</b> White	<b>BLANK</b> =No Option <b>M1-(LOS-502S-E-C)</b> =Motion Sensor On/Off <b>M2-(HBP-212-L7-W)</b> =High Bay Sensor, Cont Dimming <b>EL UNV 1</b> =Emergency Backup Kit

Due to continuous product improvements, specification and/or equipment updates may change without notice.

## SPECIFICATIONS

### HOUSING

Die-cast housing.

### AMBIENT TEMPERATURE

Suitable for use in -40°C to +40°C (-40°F to 104°F)

### MOUNTING

Surface mounting with J-Box or Pendant mount with conduit.

### EFFICACY

Up to 103 lumens per watt (see individual wattage data)

### CCT AND CRI

4000 and 5000K CCT available; 72CRI

### OPTICS

Vacuum metalized specular reflector with clear acrylic lens.

### WARRANTY

10-year limited warranty. Comprehensive warranty terms can be located on [www.slgus.com](http://www.slgus.com).

### ELECTRICAL

Standard 120/277V with 0/60Hz. Standard 0-10V dimming.

### ENERGY DATA

Power Factor above 90%.

### FINISH

Polyester Powder White finish.

### CERTIFICATIONS

UL Listed for wet locations, IP65 Rating. FCC compliant. RoHs compliant. Design Lights Consortium® (DLC) Premium qualified product. Some product models may not be DLC qualified. Please check the DLC Qualified Products List at [www.slgus.com/DLC](http://www.slgus.com/DLC) are qualified.

## OPTIONS



M1 (LOS-502S-E-C)  
Motion Sensor On/Off

The *LOS-502S-E-C* has an ambient light sensor built-in for traditional on/off control. This motion sensor can be attached externally to the fixture. Suitable for use in wet location and temperature of -40°F/°C.

Lens	Shape	Mounting Height	Operation Temperature	Coverage
High Bay	Cone	15-30 ft	-40°C to 70°C -40°F to 158°F	3x height*

\*Covers 90 ft diameter when the mounting height is 30 ft.

Due to continuous product improvements, specification and/or equipment updates may change without notice.

## OPTIONS CONT



**M2 (HBP-212-L7-W)**  
High Bay Sensor, Cont Dimming

The *HBP-212-L7-W* is designed for indoor high bay or low bay applications.

**Mode A** Traditional on/off motion sensor.

**Mode B** Continuous dimming. Turn off when the desired ambient light is reached.

**Mode C** Continuous dimming. Dim the lights down to minimum desired light level.

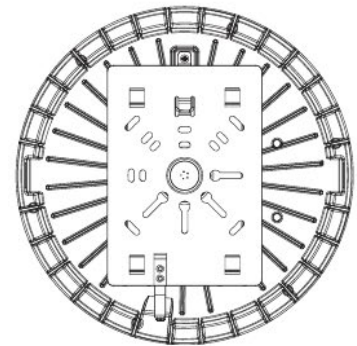
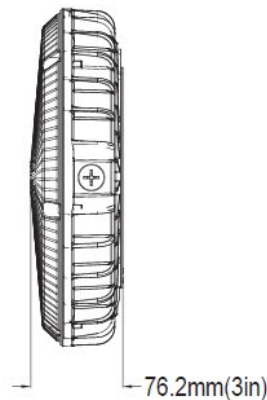
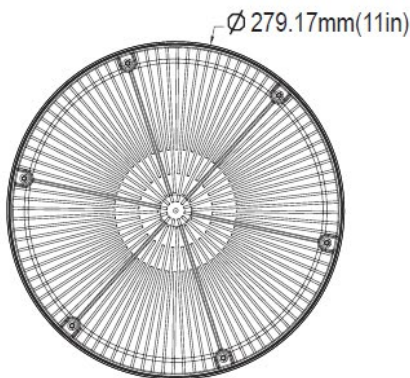
**Mode D** Continuous dimming. Set different light level for daytime and nighttime.

**Mode E** Service and setup mode. Adjust time delays and desired light levels.

Operation Voltage	Mounting Height	Coverage	Shape	Adjustable Time Delay	Operating Temperature	Applications
120/277V	15-40 ft	2.5x Height*	Cone	30 sec - 30 min (default 15 min)	0°C to 70°C 32°F to 158°F	Indoor Only

\*Covers a 100 ft diameter when the mounting height is 40 ft.

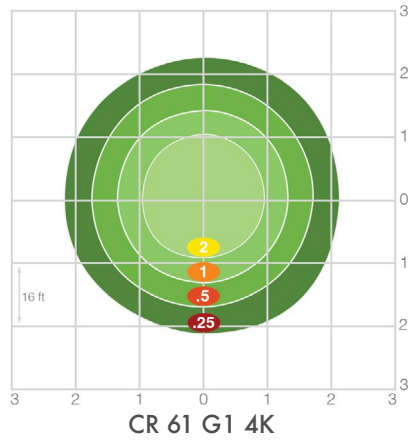
## DIMENSIONS



Weight  
CR 60W: 5.35 LB

Due to continuous product improvements, specification and/or equipment updates may change without notice.

## PHOTOMETRIC



Mounting Height	12	14	16	18	20
Multiplier	1.8	1.3	1.0	0.8	0.6

## PERFORMANCE COMPARISON

Series Number	Wattage	Lumen	Efficacy	Replaces	Voltage	Max Mounting Height	DLC
CR 61	60W	6,150	103 Lm/W	175W	120-277V	8-15 ft	Standard

Due to continuous product improvements, specification and/or equipment updates may change without notice.