

PROJECT: _____
 CATALOG #: _____
 FIXTURE TYPE: _____
 NOTES: _____

AP Area Post-Top Gen 1



PERFORMANCE INFORMATION

SERIES NUMBER	WATT	LUMENS	CCT
AP 55 T5 G1 5K	45W	5,450	5000K
AP 85 T5 G1 5K	70W	8,500	5000K
AP 100 T5 G1 5K	87W	10,600	5000K
AP 150 T5 G1 5K	130W	15,800	5000K

The **AP Area Post-Top Gen 1 Series** is a sleek architectural luminaire designed with pedestrians in mind. The twin die-cast aluminum arms support the slender disc to create an iconic silhouette during the day and transform into a guiding light at night. This elegant luminaire is combined with a lower pole height and recessed light source for increased visual comfort, reduced glare, and a softer appearance. The light engine maintains a uniform light source while providing a wide and smooth distribution.

APPLICATIONS

Walking Pathways, Pedestrian Plazas, Building Perimeters, etc.

ORDERING GUIDE							EXAMPLE: AP 55 T5 G1 4K
Luminaire Type	Lumen Output	Distribution Type	Generation	Voltage	CCT	Finish	Options
AP Area Post-Top	55 5,450 Lumens 85 8,500 Lumens 100 10,600 Lumens	T5 Symmetric Type V	G1	BLANK= 120-277V	4K 4000K 5K 5000K	BLANK= Dark Bronze B= Black	PC UNV B3= Button Photocell 120-277V MS-FSP-211= Motion Sensor (Choose 1) L3= 40' diameter lens L7= 100' diameter lens MS-LPS-202-L3= PIR Motion Sensor with 360° L3 Lens, Max 40ft mounting height MS-FSIR-100= Wireless commissioning tool
	150 15,800 Lumens			BLANK= 120-277V HVU= 347-480V			

Due to continuous product improvements, specification and/or equipment updates may change without notice.

SPECIFICATIONS

HOUSING

Die-cast aluminum housing for durability

AMBIENT TEMPERATURE

Suitable for use in -40°C to 45°C (-40°F to 113°F)

MOUNTING

Pole mount. Slips over a 2 3/8" or 3" tenon. Suitable for heights between 8-20 ft.

EFFICACY

Up to 120 lumens per watt (see individual wattage data)

CCT AND CRI

4000K and 5000K CCT available; 70CRI

OPTICS

Efficient optical performance with wide distribution that eliminates dark zones and utilizes high lumen LEDs.

WARRANTY

10-year limited warranty. Comprehensive warranty terms can be located on www.slgus.com.

ELECTRICAL

Standard voltage 120/277V. HVU 347-480V option for AP 150 only. High quality constant-current Driver with the efficiency of (>90% standard); 50/60Hz. Standard Dimming 0-10V driver.

ENERGY DATA

Power factor \geq 90%.

FINISH

Dark Bronze or Black Polyester Powder finish for superior corrosion resistance and maximum durability.

CERTIFICATIONS

UL Listed for wet locations. Equivalent to IP65 rating. FCC compliant. RoHs compliant. Design Lights Consortium[®] (DLC) Premium 5.1 qualified product. Not all versions of this product may be DLC qualified. Please visit www.slgus.com to confirm which versions are qualified.

Due to continuous product improvements, specification and/or equipment updates may change without notice.

OPTIONS



MS-FSP-211
Dimmable Motion Sensor



MS-FSP-L3/L7
Lens

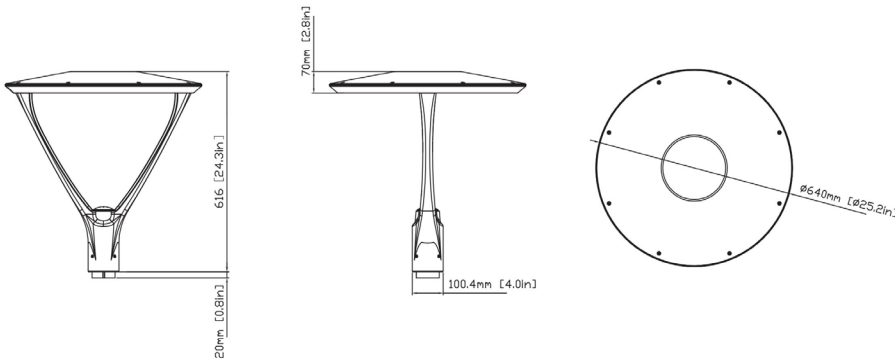
The **MS-FSP-211** provides multi-level control base on motion and daylight level. Requires L3 or L7 lens depending the mounting height.

Operation Voltage	Shape	Adjustable Time Delay	Fade Down Time	Operating Temperature	Mounting Height For MS-FSP-L3	Mounting Height For MS-FSP-L7
120/277V	Cone	30 sec - 30 min	0-10 sec	-40°F to 158°F	20 ft*	40 ft**

* Covers a 40 ft diameter when mounting height is 20 ft. Coverage is equal to 2x the height.

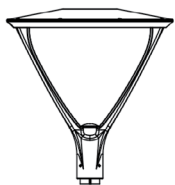
** Covers a 100 ft diameter when mounting height is 40 ft. Coverage is equal to 2.5x the height

DIMENSIONS



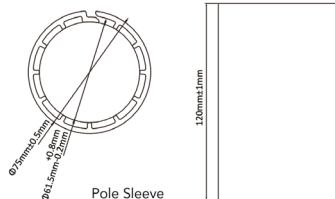
BUG RATING

SERIES NUMBER	B	U	G
AP 55	2	0	1
AP 85	2	0	2
AP 100	3	0	2
AP 150	3	0	2



EPA=0.9696

EPA of Post Top



Pole Sleeve

Due to continuous product improvements, specification and/or equipment updates may change without notice.

PERFORMANCE COMPARISON

Product Series	Wattage	4000K		5000K		Voltage
		Lumens	Efficacy (LPW)	Lumens	Efficacy (LPW)	
AP 55	45W	5,450 Lm	121	5,450 Lm	121	120-277V
AP 85	70W	8,500 Lm	121	8,500 Lm	121	120-277V
AP 100	87W	10,600 Lm	122	10,600 Lm	122	120-277V
AP 150	130W	15,800 Lm	122	15,800 Lm	122	120-277V 347-480V

ELECTRICAL DATA

Number of Drivers	Driver Current (mA)	Nominal Power (W)	Input Voltage (V)	Current (Amps)
1	1120	45	120	0.38
		45	208	0.22
		45	240	0.19
		45	277	0.16
1	1750	70	120	0.58
		70	208	0.34
		70	240	0.29
		70	277	0.25
2	2240	87	120	0.75
		87	208	0.43
		87	240	0.38
		87	277	0.32
2	3500	130	120	1.08
		130	208	0.63
		130	240	0.54
		130	277	0.47
	3700	130	347	0.37
		130	480	0.27

Due to continuous product improvements, specification and/or equipment updates may change without notice.